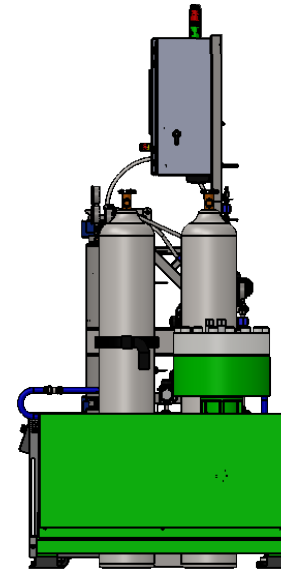
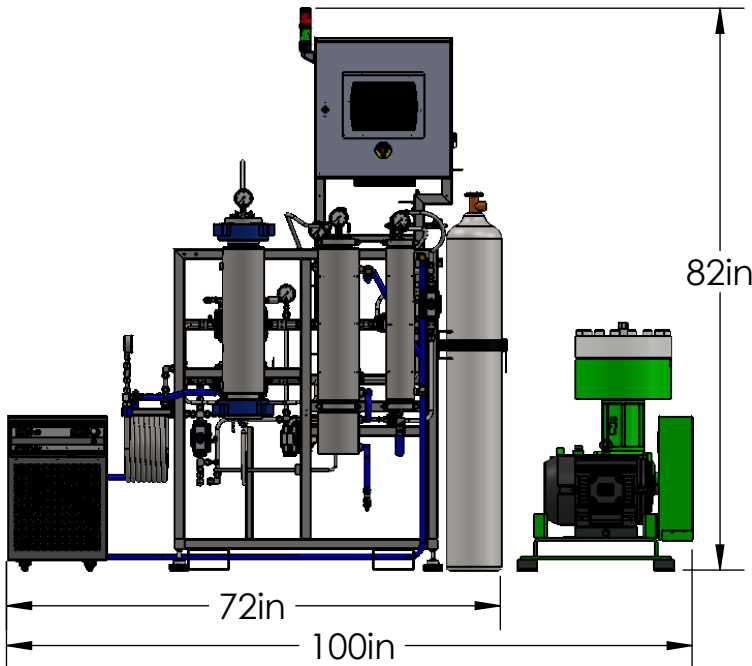
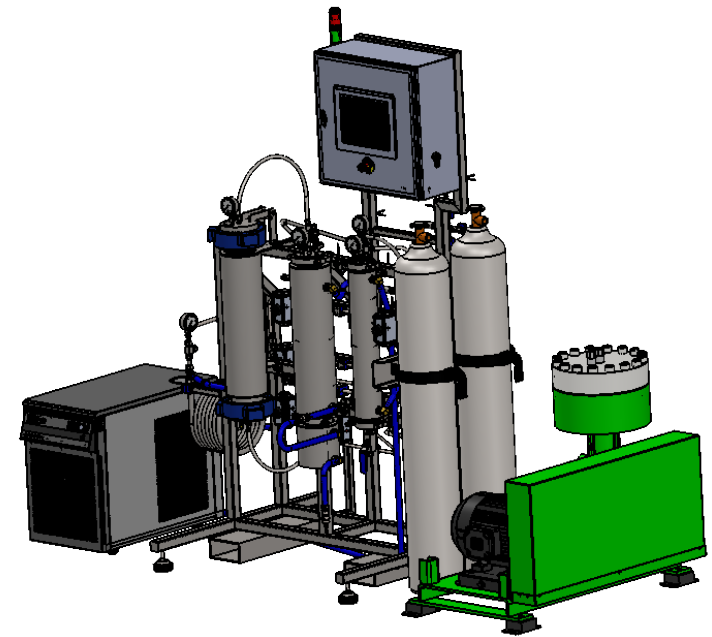


AMBIENT TEMPERATURE
REQUIREMENTS: 60-80 F



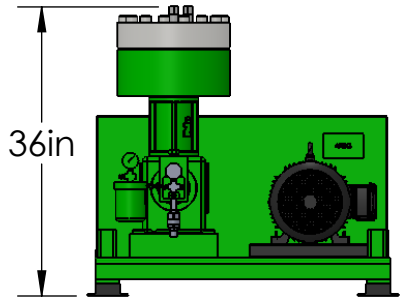
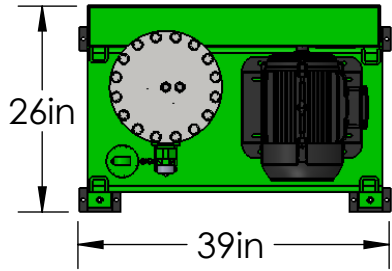
apeks®
SUPERCRITICAL
The Power of CO₂ Extraction™

| EQUIPMENT | CRATE SIZE | CRATE WT. |
|------------|-------------------|-----------|
| i.2000-5LD | 40" X 48" X 80.5" | 750 LBS |
| DIA. PUMP | 33" X 44" X 44" | 1100 LBS |
| CHILLER | 33" X 22" X 33" | 250 LBS |

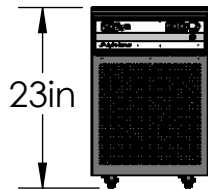
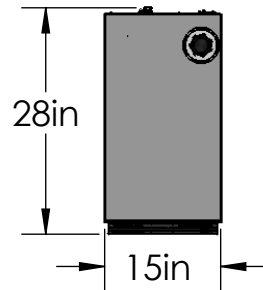
NOTE: MINIMUM CLEARANCE AROUND SYSTEM IS 36"

| | |
|---|---|
| 150 Commerce Blvd. Johnstown, OH 43031 740-809-1160 | TITLE: 6/5/2018 i2000-5LD SYSTEM FOOTPRINT SIDE MOUNT |
| MATERIAL | DWG. NO. REV. i.2000-5LD SIDE MOUNT |
| FINISH | SCALE: 1:28 SHEET 1 OF 2 |
| RAW MATERIAL | |

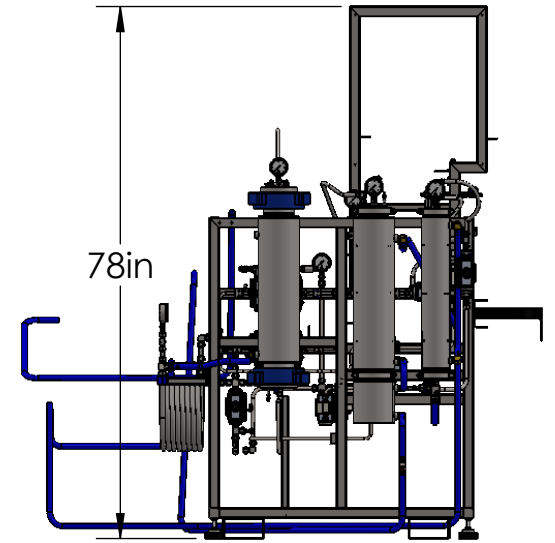
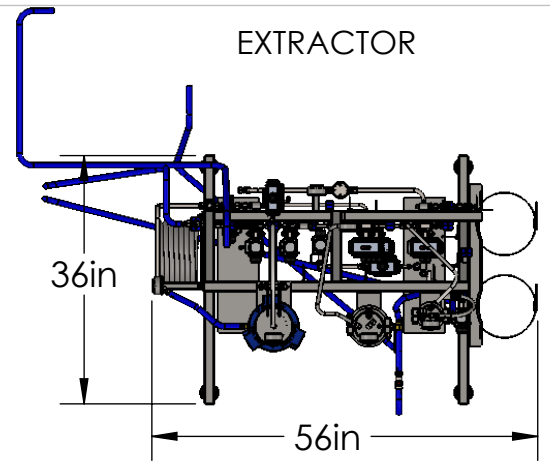
DIAPHRAGM PUMP



CHILLER



EXTRACTOR



The Power of CO₂ Extraction™

| | |
|---|---|
| 150 Commerce Blvd. Johnstown, OH 43031 740-809-1160 | TITLE: 6/5/2018 i2000-5LD SYSTEM FOOTPRINT SIDE MOUNT |
| MATERIAL | DWG. NO. REV. i.2000-5LD SIDE MOUNT |
| FINISH | SCALE: 1:24 SHEET 2 OF 2 |
| RAW MATERIAL | |