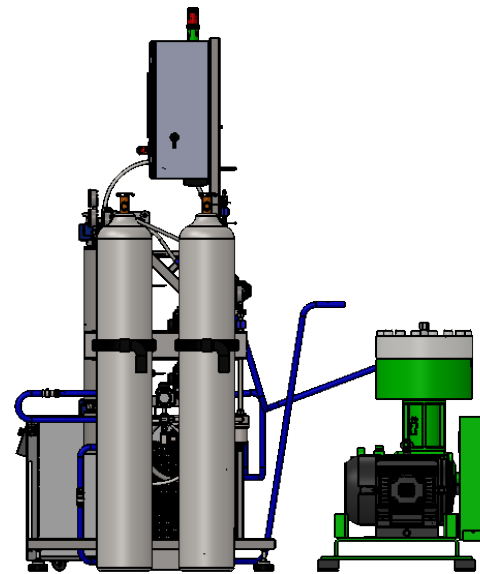
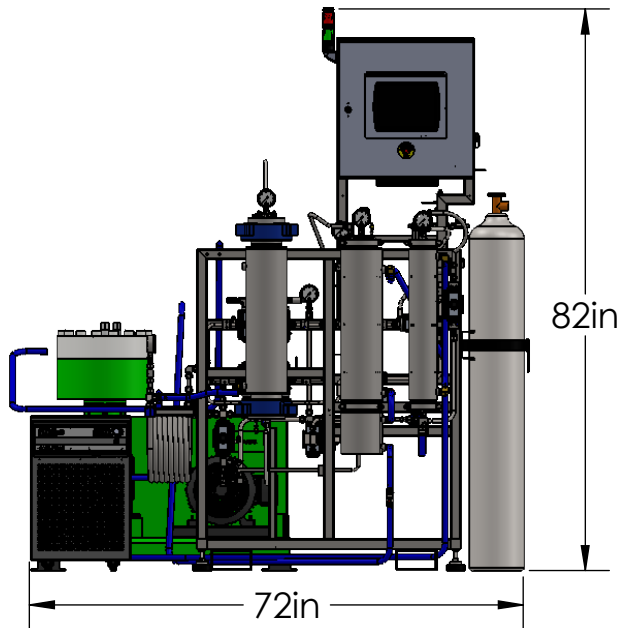
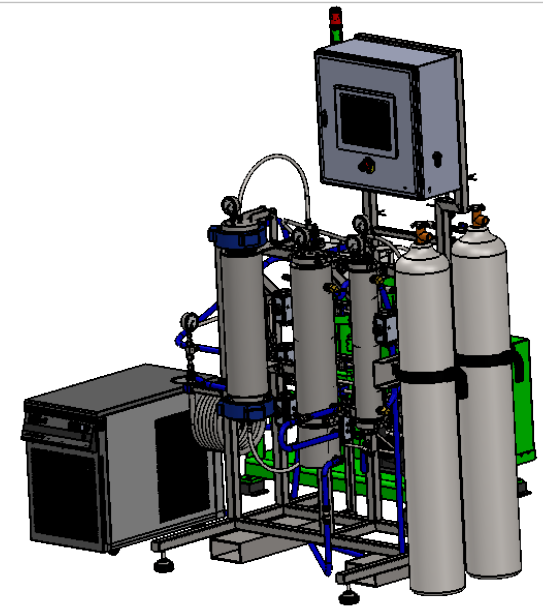


AMBIENT TEMPERATURE
REQUIREMENTS: 60-80 F



apeks®
SUPERCRITICAL
The Power of CO₂ Extraction™

EQUIPMENT	CRATE SIZE	CRATE WT.
i.2000-5LD	40" X 48" X 80.5"	750 LBS
DIA. PUMP	33" X 44" X 44"	1100 LBS
CHILLER	33" X 22" X 33"	250 LBS

NOTE: MINIMUM CLEARANCE AROUND SYSTEM IS 36"

150 Commerce Blvd.
Johnstown, OH 43031
740-809-1160

MATERIAL

FINISH

RAW MATERIAL

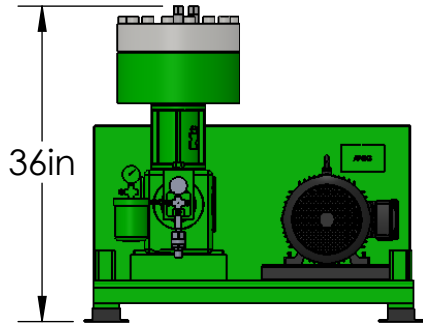
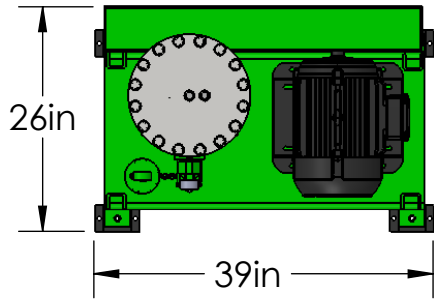
TITLE: 6/5/2018
i2000-5LD SYSTEM FOOTPRINT

DWG. NO. REV.
i.2000-5LD

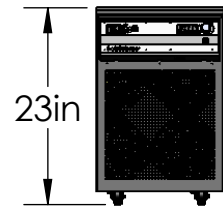
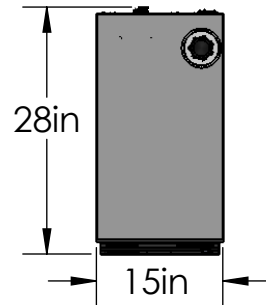
SCALE: 1:28

SHEET 1 OF 2

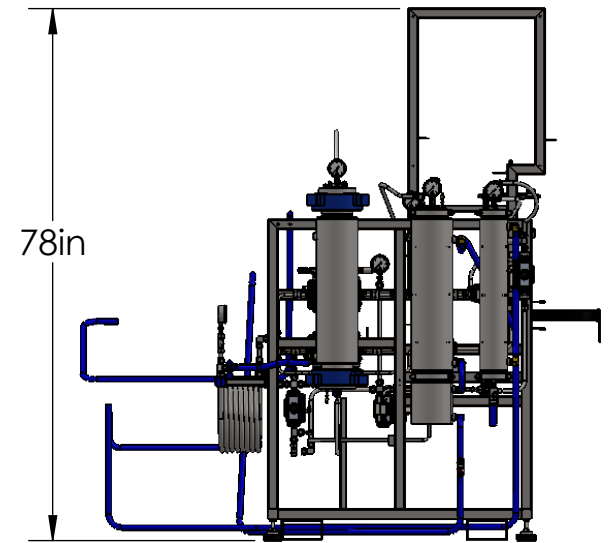
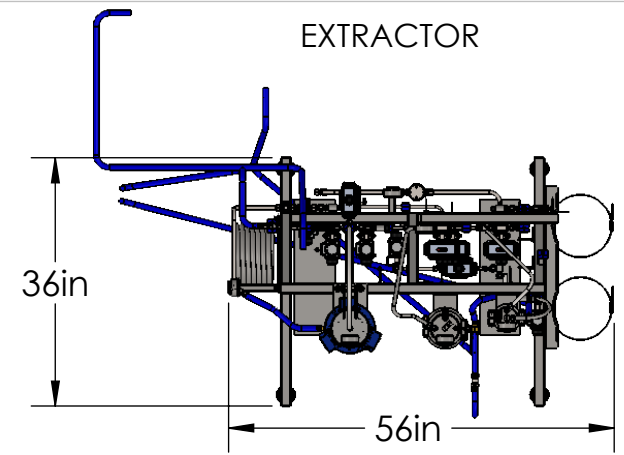
DIAPHRAGM PUMP



CHILLER



EXTRACTOR



apeks®
SUPERCritical
 The Power of CO₂ Extraction™

150 Commerce Blvd. Johnstown, OH 43031 740-809-1160	TITLE: 6/5/2018 i2000-5LD SYSTEM FOOTPRINT
MATERIAL	DWG. NO. REV. i.2000-5LD
FINISH	SCALE: 1:22 SHEET 2 OF 2
RAW MATERIAL	