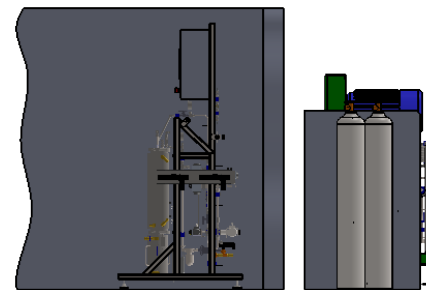
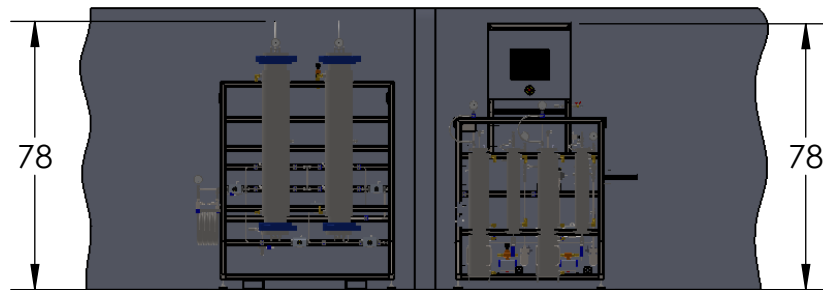


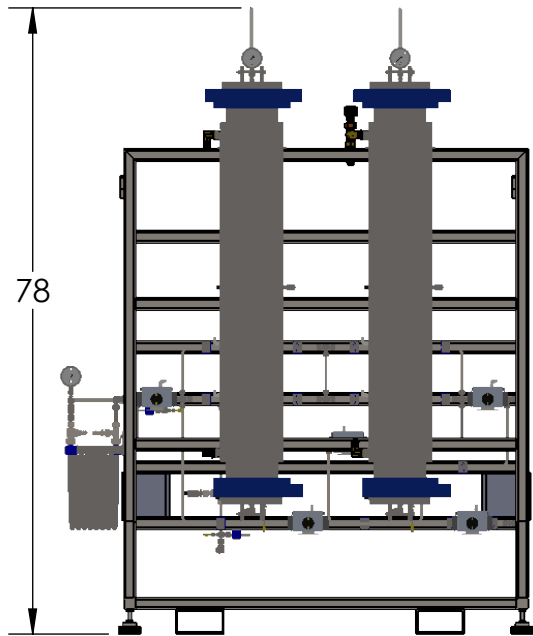
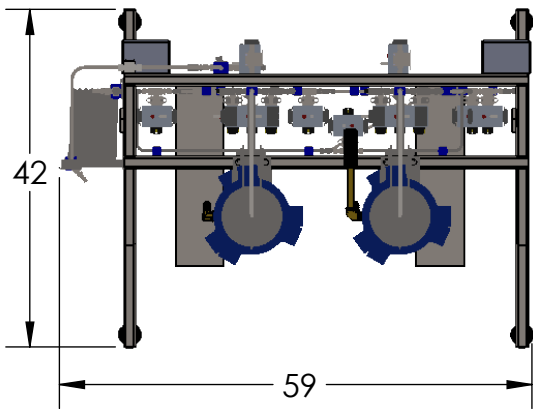
FOR GMP COMPLIANCE, IT IS RECOMMENDED TO HAVE A SEPARATION OF SEPARATOR, EXTRACTION AND PUMP/CHILLERS



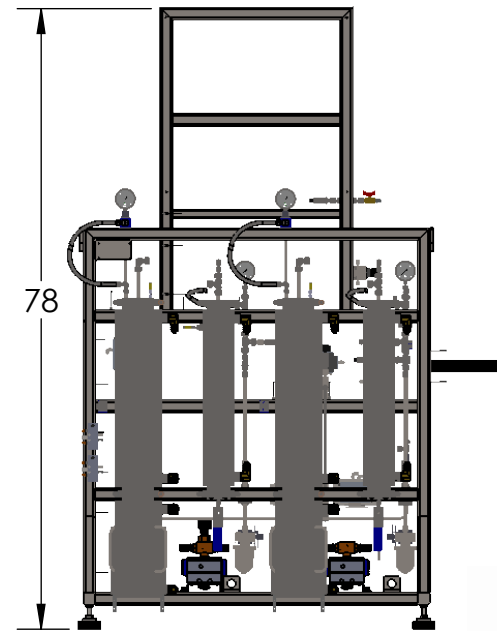
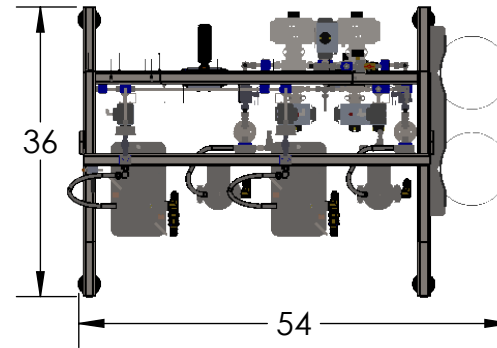
NOTE: MINIMUM CLEARANCE AROUND SYSTEM IS 36"

150 Commerce Blvd. Johnstown, OH 43031 740-809-1160		TITLE:	1/11/2019
MATERIAL		GMP 2000-20LX20LDU DUPLEX FOOT PRINT	
FINISH		DWG. NO.	REV.
RAW MATERIAL		GMP 2000-20LX20LDU FOOTPRINT	
		SCALE: 1:56	SHEET 1 OF 3

EXTRACTOR



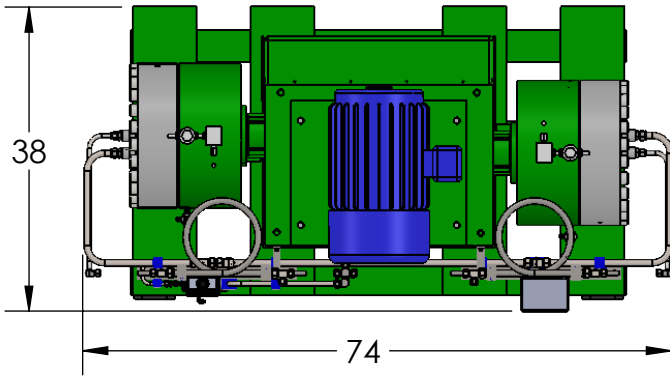
SEPARATORS



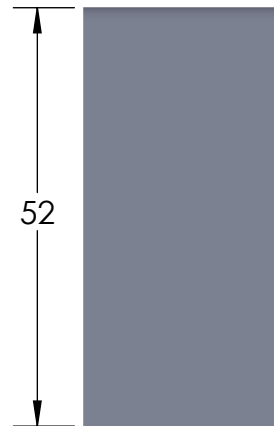
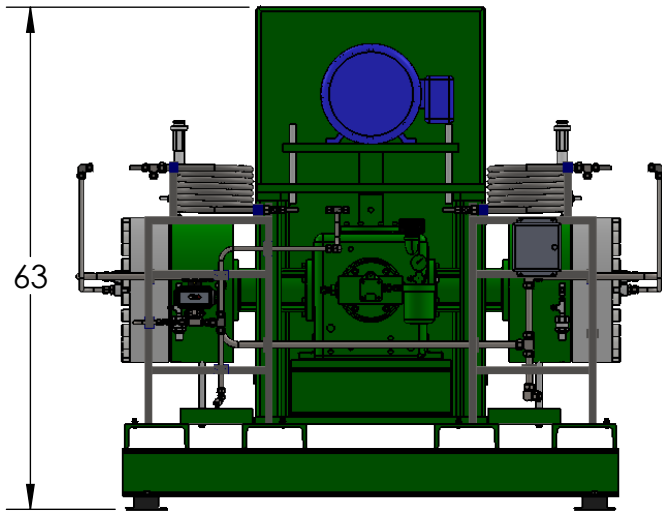
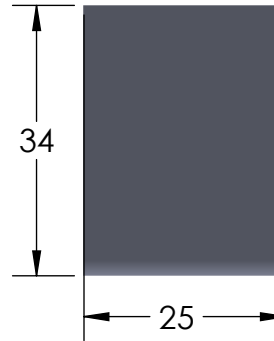
apeks®
SUPERCritical
 The Power of CO₂ Extraction™

150 Commerce Blvd. Johnstown, OH 43031 740-809-1160		TITLE: 1/11/2019	
MATERIAL		GMP 2000-20LX20LDU DUPLEX FOOT PRINT	
FINISH		DWG. NO.	REV.
RAW MATERIAL		GMP 2000-20LX20LDU FOOTPRINT	
		SCALE: 1:24	SHEET 2 OF 3

COMPRESSOR



10,000
CHILLER



The Power of CO₂ Extraction™

150 Commerce Blvd. Johnstown, OH 43031 740-809-1160	TITLE: 1/11/2019 GMP 2000-20LX20LDU DUPLEX FOOT PRINT
MATERIAL	DWG. NO. REV.
FINISH	GMP 2000-20LX20LDU FOOTPRINT
RAW MATERIAL	SCALE: 1:24 SHEET 3 OF 3