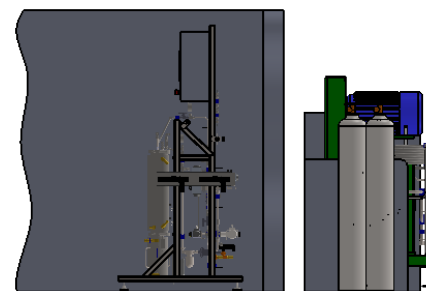
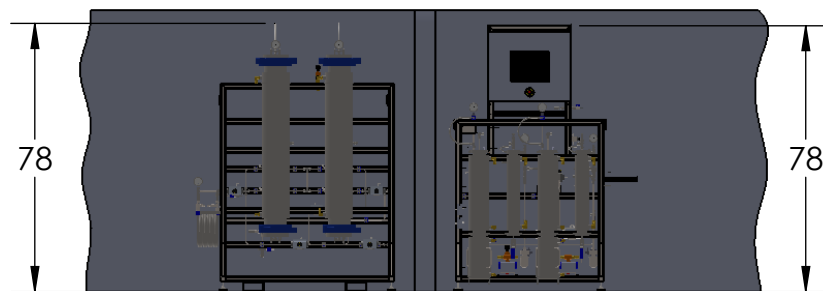


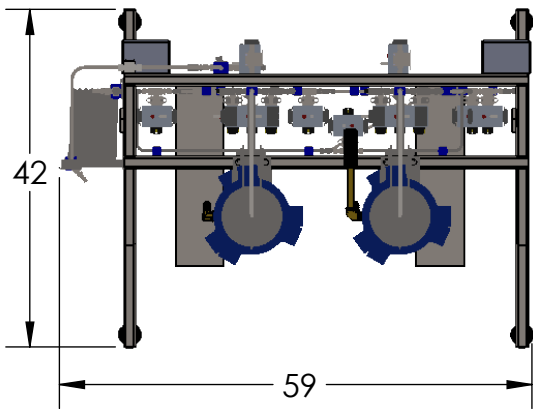
FOR GMP COMPLIANCE, IT IS RECOMMENDED TO HAVE A SEPARATION OF SEPARATOR, EXTRACTION AND PUMP/CHILLERS



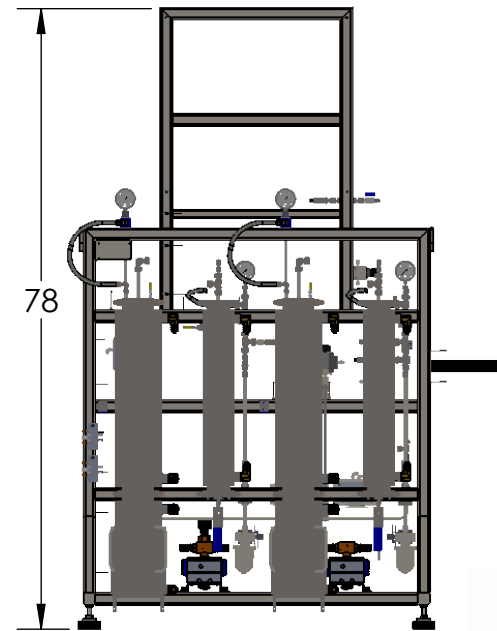
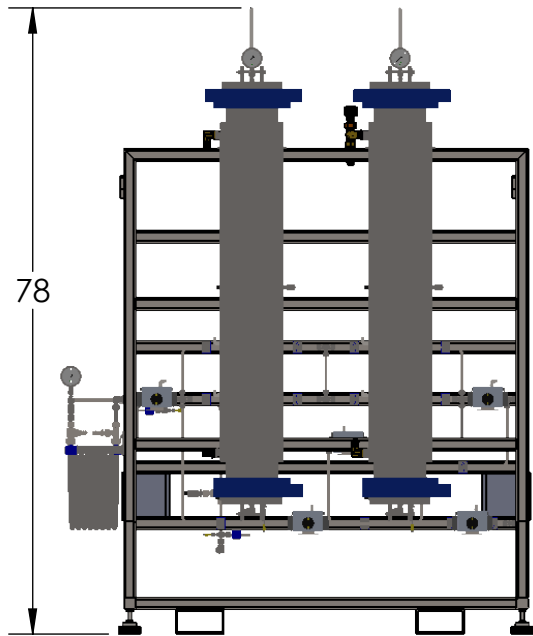
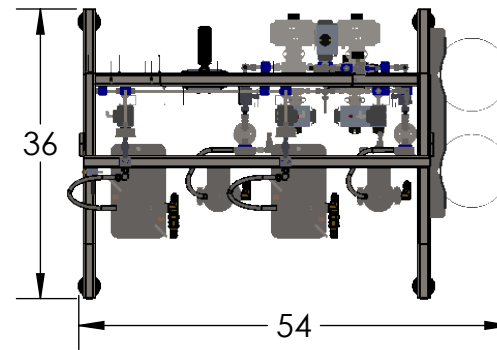
NOTE: MINIMUM CLEARANCE AROUND SYSTEM IS 36"

150 Commerce Blvd. Johnstown, OH 43031 740-809-1160		TITLE:	9/10/2018
MATERIAL		GMP 2000-20LX20LDU DUPLEX FOOT PRINT	
FINISH		DWG. NO.	REV.
RAW MATERIAL		GMP 2000-20LX20LDU FOOTPRINT	
		SCALE: 1:56	SHEET 1 OF 3

EXTRACTOR

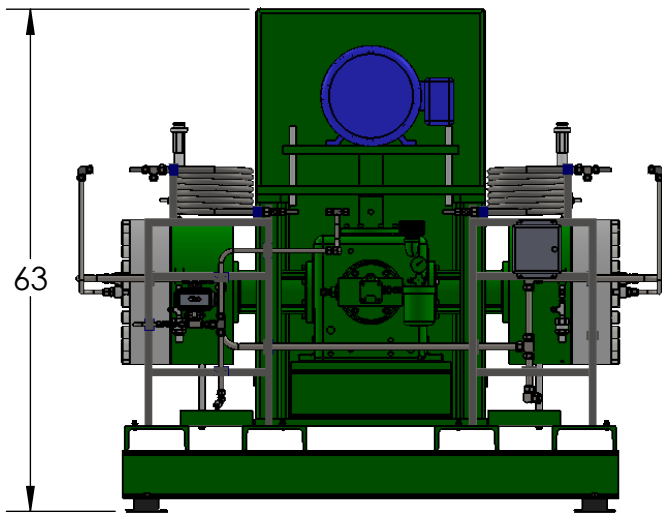
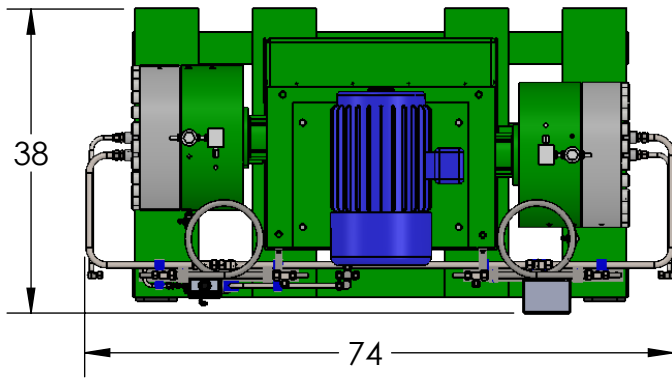


SEPERATORS

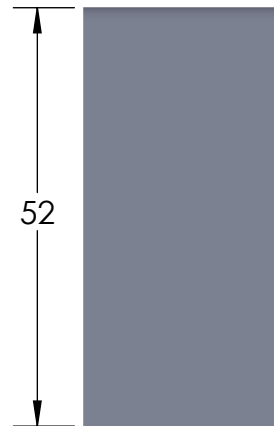


150 Commerce Blvd. Johnstown, OH 43031 740-809-1160		TITLE:	9/10/2018
MATERIAL		GMP 2000-20LX20LDU DUPLEX FOOT PRINT	
FINISH		DWG. NO.	REV.
RAW MATERIAL		GMP 2000-20LX20LDU FOOTPRINT	
		SCALE: 1:24	SHEET 2 OF 3

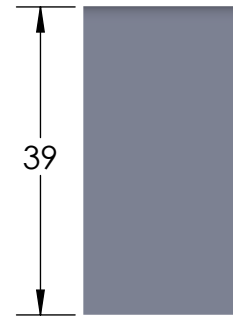
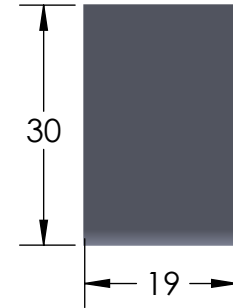
COMPRESSOR



10,000  
CHILLER



5,000  
CHILLER



150 Commerce Blvd. Johnstown, OH 43031 740-809-1160		TITLE: 9/10/2018	
MATERIAL		GMP 2000-20LX20LDU DUPLEX FOOT PRINT	
FINISH		DWG. NO.	REV.
RAW MATERIAL		GMP 2000-20LX20LDU FOOTPRINT	
		SCALE: 1:24	SHEET 3 OF 3