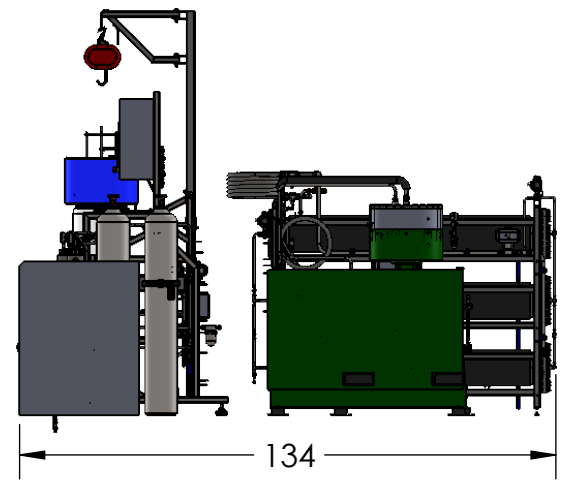
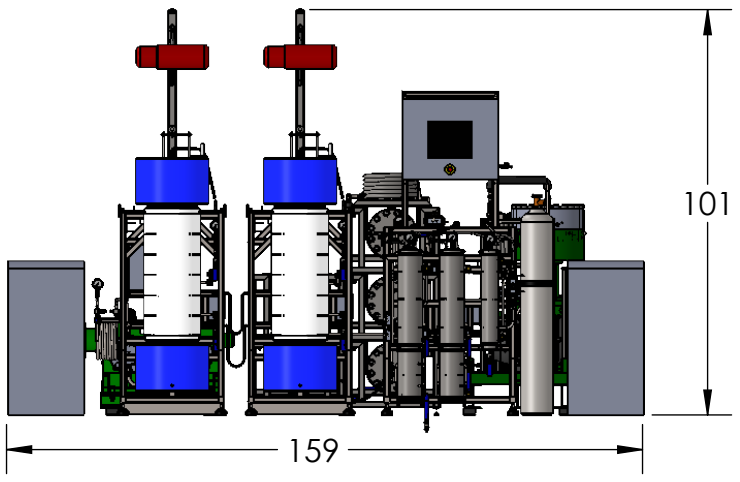
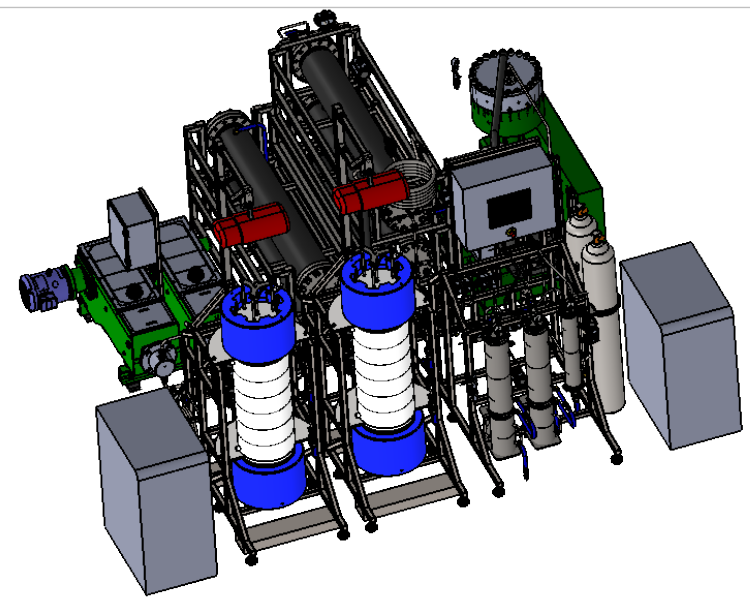


AMBIENT TEMPERATURE REQUIREMENTS: 60-80 F



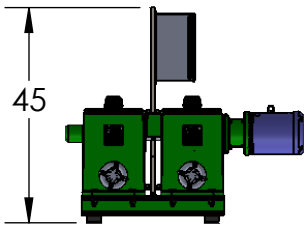
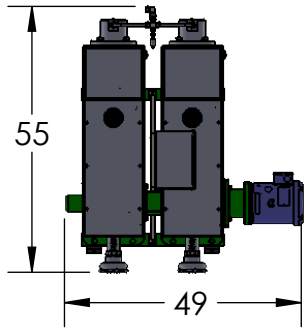
CRATE	HT	WIDTH	LENGTH	WT (LBS)
EXTRACTORS (2X)	74"	55"	57"	2700
LIQUID PUMP	67"	55"	50"	1890
COMPRESSOR	57"	39"	65"	3000
CHILLERS (2X)	44"	26"	46"	450
STORAGE TANKS	65"	50"	85"	3200
SEP. STAND	80"	48"	54"	600

NOTE: MINIMUM CLEARANCE AROUND SYSTEM IS 36"

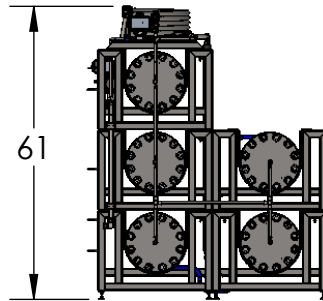
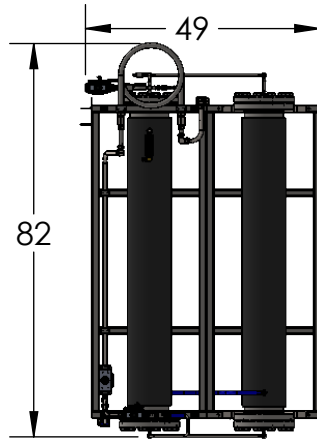


150 Commerce Blvd. Johnstown, OH 43031 740-809-1160	TITLE: 6/5/2018 STAND ALONE 5000-40LX40LDP FOOT PRINT
MATERIAL	DWG. NO. 5000-40LX40LDP REV.
FINISH	SCALE: 1:48 SHEET 1 OF 2
RAW MATERIAL	

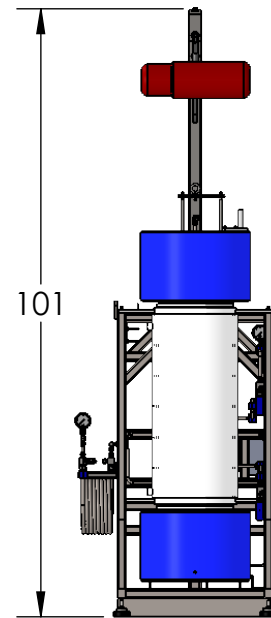
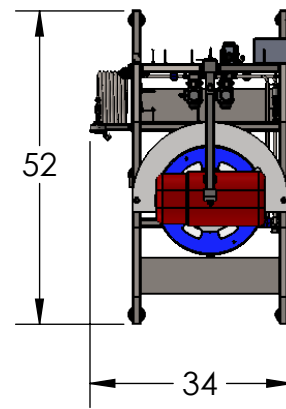
LIQUID PUMP



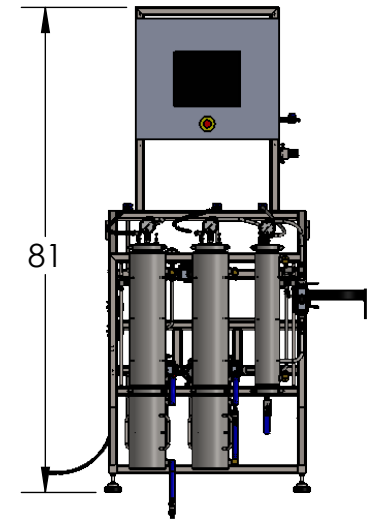
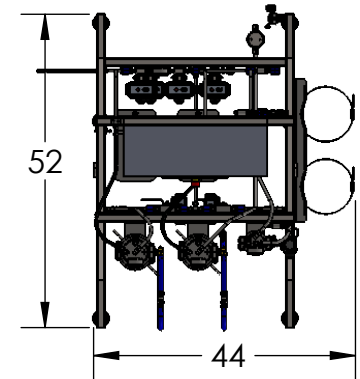
STORAGE TANKS



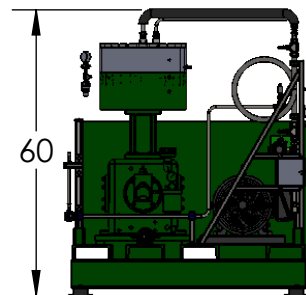
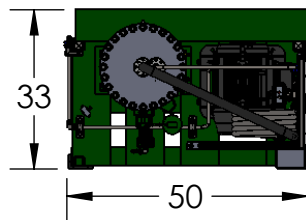
EXTRACTOR (2X)



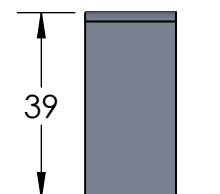
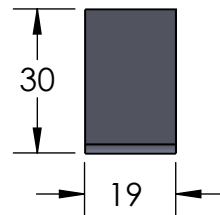
CONTROL STAND



DIAPHRAGM PUMP



CHILLER (2X)



The Power of CO<sub>2</sub> Extraction™

150 Commerce Blvd. Johnstown, OH 43031 740-809-1160	TITLE: 6/5/2018 5000 PSI 40LX40LDP SYSTEM FOOTPRINT
MATERIAL	REV.
FINISH	5000-40LX40LDP
RAW MATERIAL	SCALE: 1:40 SHEET 2 OF 2