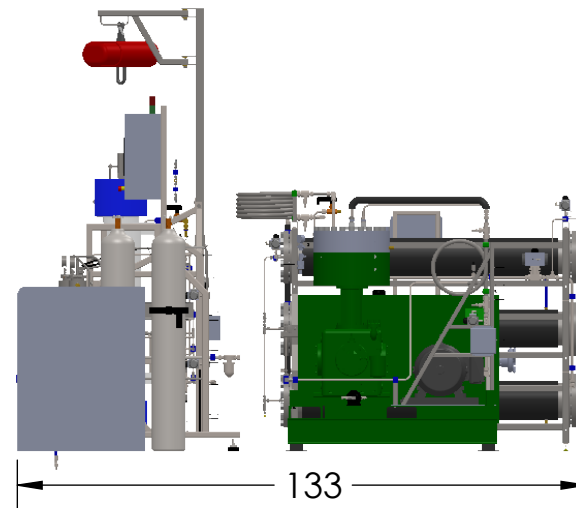
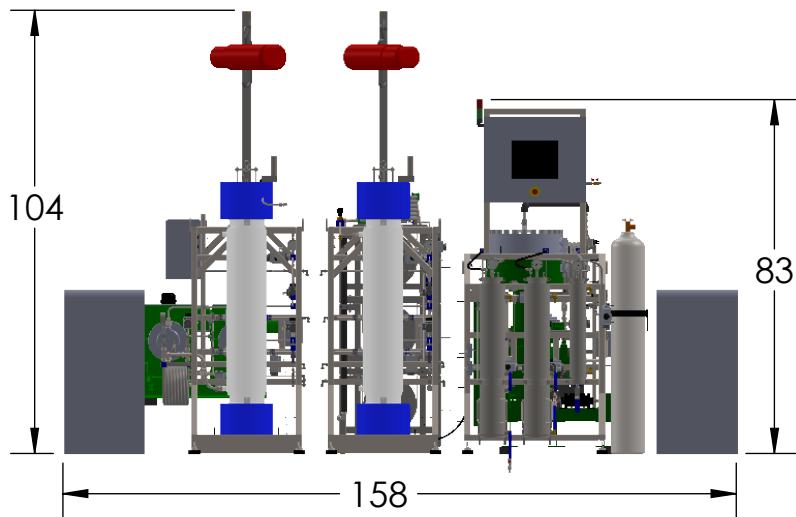


AMBIENT TEMPERATURE
REQUIREMENTS: 60-80 F



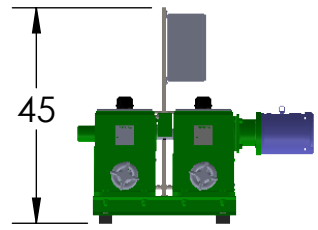
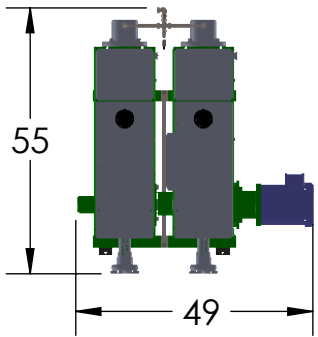
apeks®
SUPERCRITICAL
The Power of CO₂ Extraction™

CRATE	HT	WIDTH	LENGTH	WT (LBS)
EXTRACTOR (2X)	76"	63"	76"	1750
SEPARATOR	84"	50"	55"	650
LIQUID PUMP	67"	48"	50"	1890
COMPRESSOR	57"	39"	65"	3000
CHILLERS (2X)	44"	26"	46"	450
STORAGE TANKS	82"	57"	50"	1500

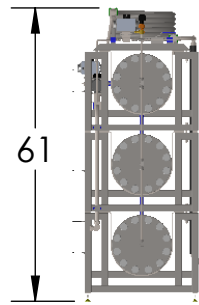
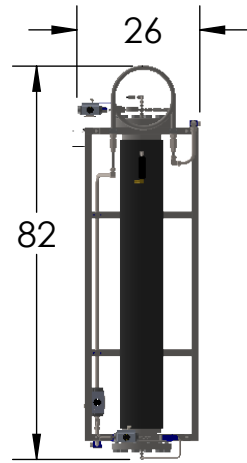
NOTE: MINIMUM CLEARANCE AROUND SYSTEM IS 36"

150 Commerce Blvd. Johnstown, OH 43031 740-809-1160	TITLE: 12/12/2018 5000 PSI 20Lx20LDP SYSTEM FOOTPRINT
MATERIAL	DWG. NO. REV.
FINISH	5000-20LX20LDP SEP STANDS
RAW MATERIAL	SCALE: 1:45 SHEET 1 OF 2

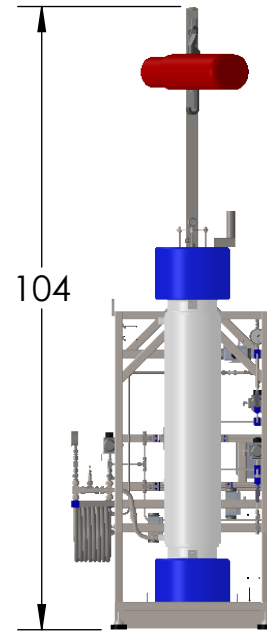
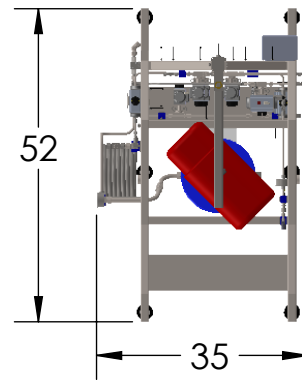
LIQUID PUMP



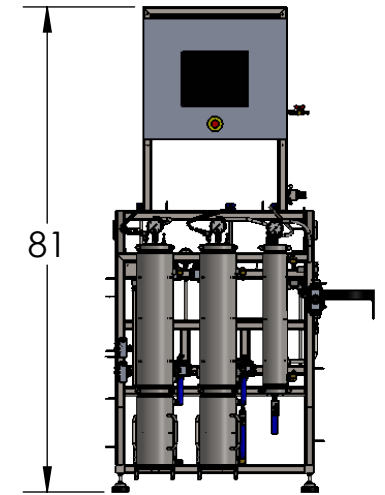
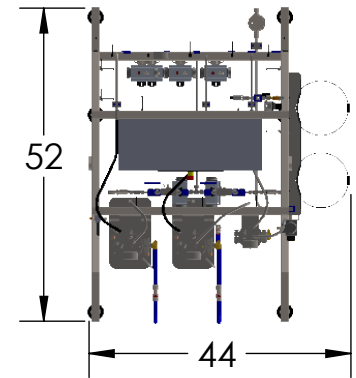
STORAGE TANKS



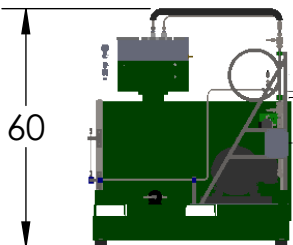
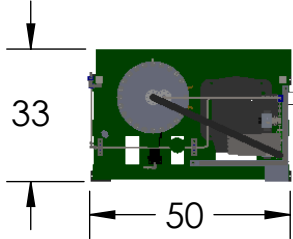
EXTRACTOR (2X)



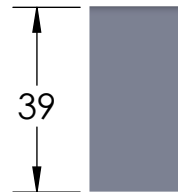
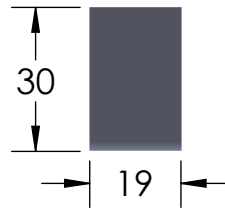
SEPARATOR



DIAPHRAGM PUMP



CHILLER (2X)



150 Commerce Blvd. Johnstown, OH 43031 740-809-1160	TITLE: 12/12/2018 5000 PSI 20Lx20LDP SYSTEM FOOTPRINT
MATERIAL	DWG. NO. REV.
FINISH	5000-20LX20LDP SEP STANDS
RAW MATERIAL	SCALE: 1:40 SHEET 2 OF 2