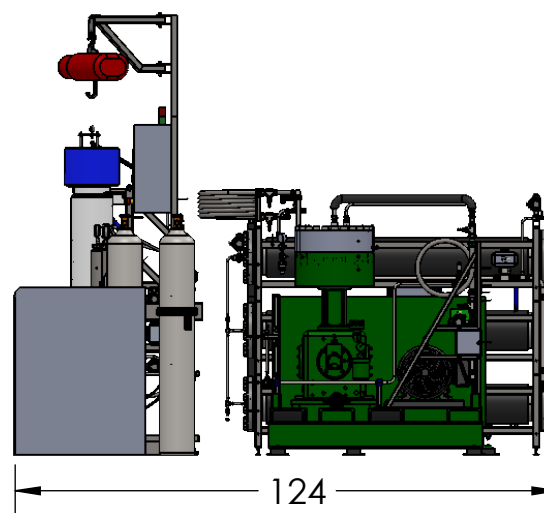
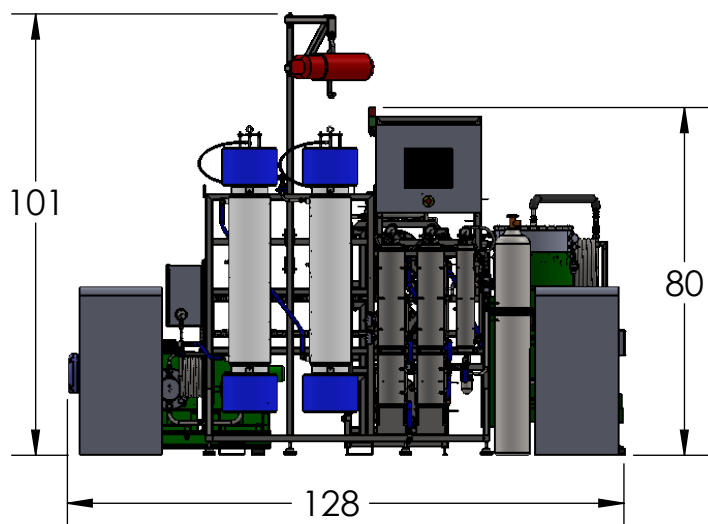


AMBIENT TEMPERATURE  
REQUIREMENTS: 60-80 F



**apeks**®  
SUPERCritical

The Power of CO<sub>2</sub> Extraction™

CRATE	HT	WIDTH	LENGTH	WT (LBS)
EXTRACTOR	82"	45"	81"	1370
LIQUID PUMP	67"	55"	50"	1890
COMPRESSOR	57"	39"	65"	3000
CHILLERS (2X)	44"	26"	46"	450
STORAGE TANKS	82"	57"	50"	1280

150 Commerce Blvd.  
Johnstown, OH 43031  
740-809-1160

MATERIAL

FINISH

RAW MATERIAL

TITLE: 6/4/2018  
5000 PSI 20Lx20LDP SYSTEM  
FOOTPRINT

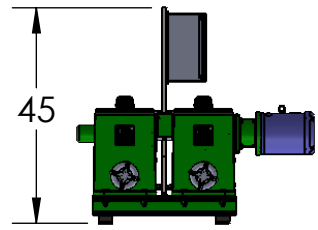
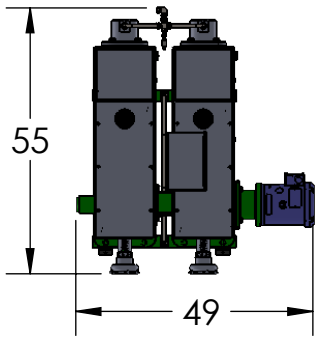
DWG. NO. REV.  
5000-20LX20LDP

SCALE: 1:44

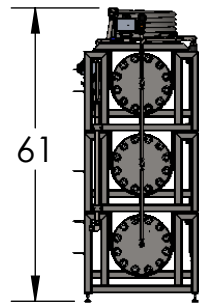
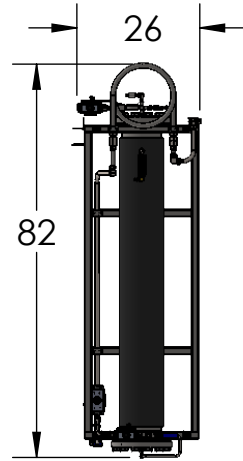
SHEET 1 OF 2

NOTE: MINIMUM CLEARANCE AROUND SYSTEM IS 36"

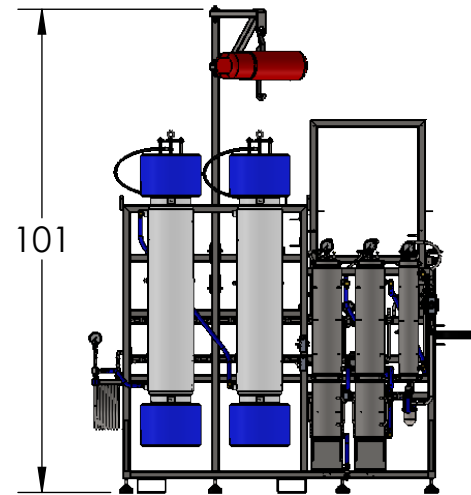
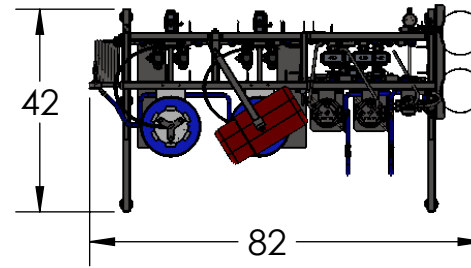
LIQUID PUMP



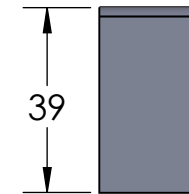
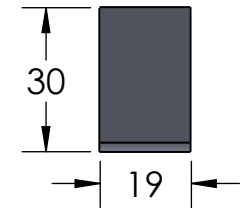
STORAGE TANKS



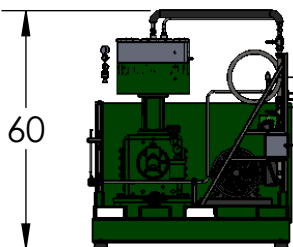
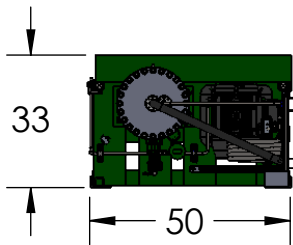
EXTRACTOR



CHILLER (2X)



DIAPHRAGM PUMP



150 Commerce Blvd. Johnstown, OH 43031 740-809-1160	TITLE: 6/4/2018 5000 PSI 20Lx20LDP SYSTEM FOOTPRINT
MATERIAL	DWG. NO. REV.
FINISH	5000-20LX20LDP
RAW MATERIAL	SCALE: 1:40 SHEET 2 OF 2