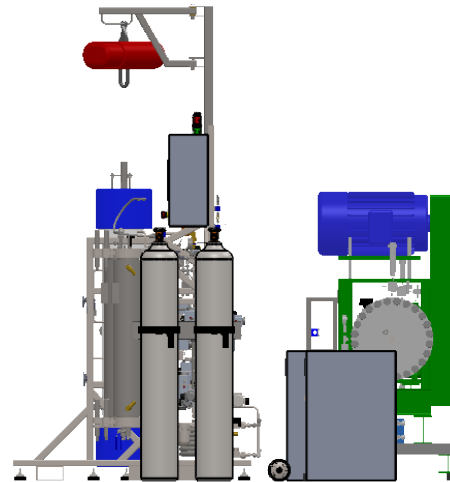
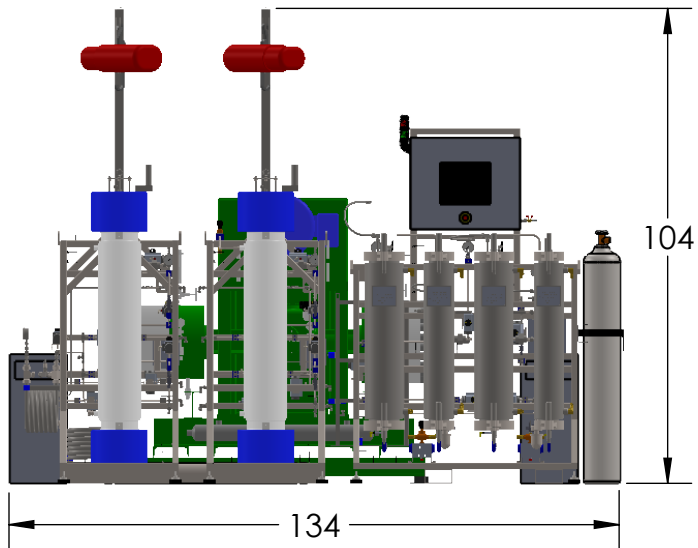


AMBIENT TEMPERATURE
REQUIREMENTS: 60-80 F



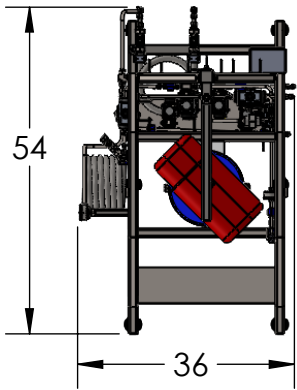
apeks®
SUPERCritical
The Power of CO₂ Extraction™

| CRATE | HT | WIDTH | LENGTH | WT (LBS) |
|------------------------|-----|-------|--------|----------|
| (2X) EXTRACTOR | 76" | 63" | 76" | 1600 |
| SEPERATORS | 84" | 50" | 62" | 1350 |
| COMPRESSOR (2X) TCU | 70" | 47" | 82" | 5000 |

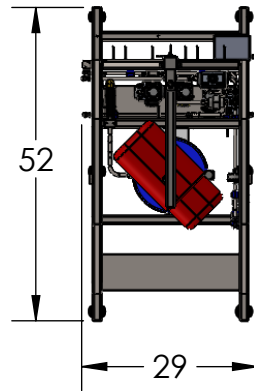
NOTE: MINIMUM CLEARANCE AROUND SYSTEM IS 36"

| | |
|---|---|
| 150 Commerce Blvd. Johnstown, OH 43031 740-809-1160 | TITLE: 4/9/2019 5000-20LX20LD 2ST FOOTPRINT |
| MATERIAL | DWG. NO. REV. 5000-20LX20L 2ST EXT CHR |
| FINISH | SCALE: 1:42 SHEET 1 OF 4 |
| RAW MATERIAL | |

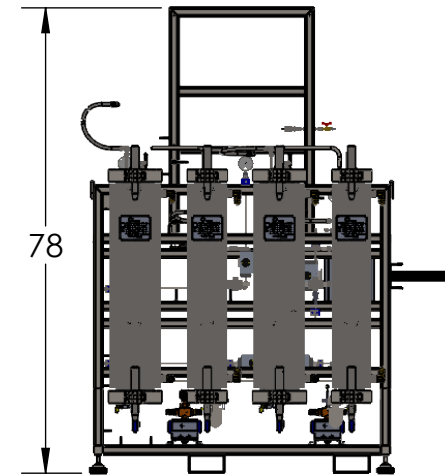
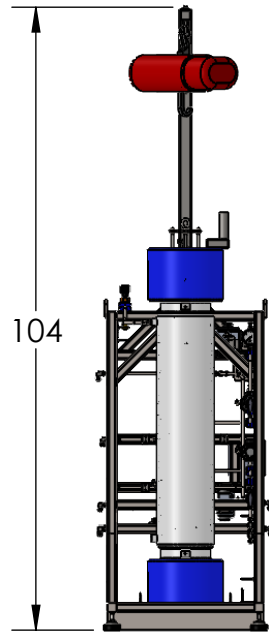
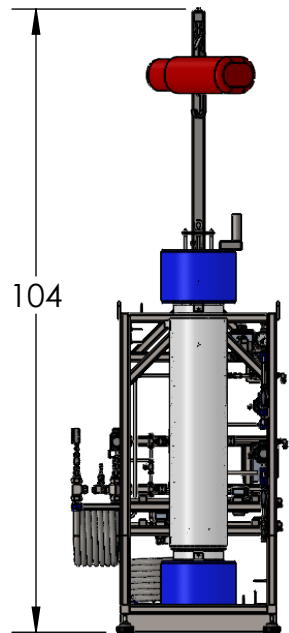
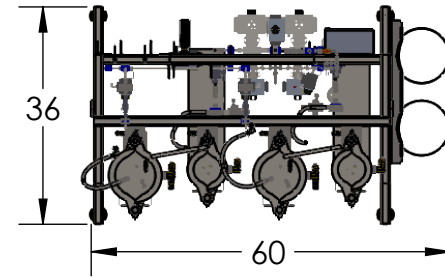
EXTRACTOR B



EXTRACTOR A



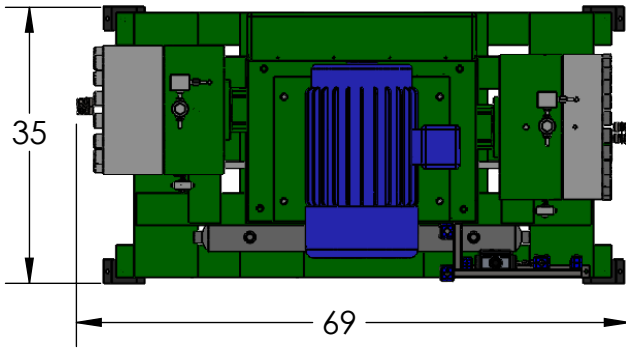
SEPARATOR



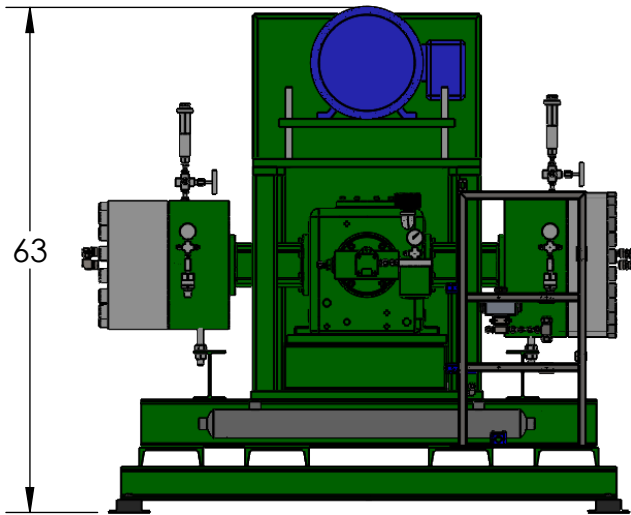
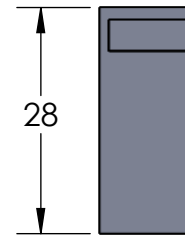
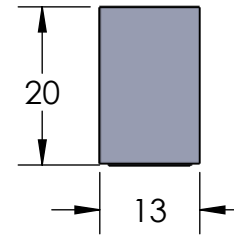
apeks®
SUPERCritical
 The Power of CO₂ Extraction™

| | |
|---|---|
| 150 Commerce Blvd. Johnstown, OH 43031 740-809-1160 | TITLE: 4/9/2019 5000-20LX20LD 2ST FOOTPRINT |
| MATERIAL | DWG. NO. REV. 5000-20LX20L 2ST EXT CHR |
| FINISH | SCALE: 1:32 SHEET 2 OF 4 |
| RAW MATERIAL | |

DIAPHRAGM PUMP

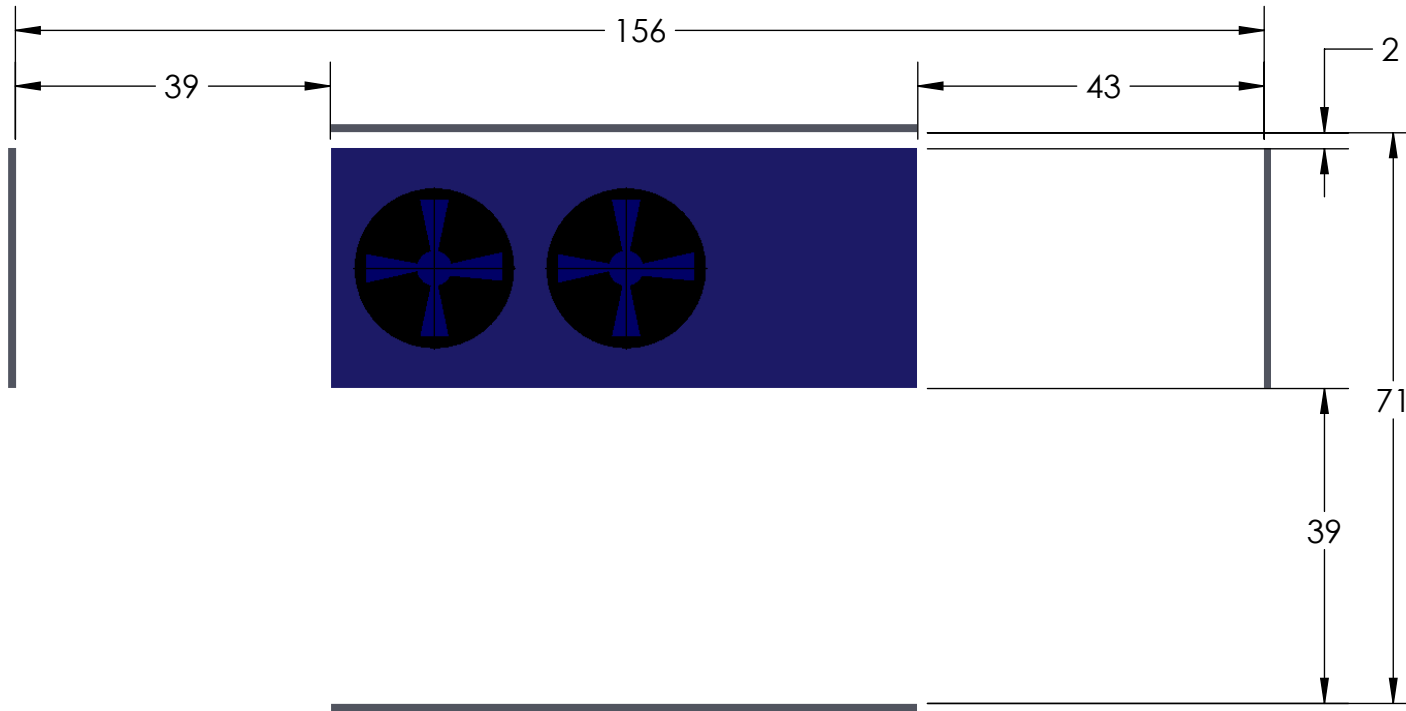


TCU



apeks®
SUPERCritical
The Power of CO₂ Extraction™

| | |
|---|---|
| 150 Commerce Blvd. Johnstown, OH 43031 740-809-1160 | TITLE: 4/9/2019 5000-20LX20LD 2ST FOOTPRINT |
| MATERIAL | DWG. NO. REV. 5000-20LX20L 2ST EXT CHR |
| FINISH | SCALE: 1:24 SHEET 3 OF 4 |
| RAW MATERIAL | |



10 TON CHILLER TO BE
LOCATED OUTSIDE OF BUILDING



| | | | |
|---|--|--------------------------|--------------|
| 150 Commerce Blvd. Johnstown, OH 43031 740-809-1160 | | TITLE: 4/9/2019 | |
| MATERIAL | | 10 TON CHILLER | |
| FINISH | | DWG. NO. REV. | |
| RAW MATERIAL | | 5000-20LX20L 2ST EXT CHR | |
| | | SCALE: 1:24 | SHEET 4 OF 4 |