

AMBIENT TEMPERATURE  
REQUIREMENTS: 60-80 F

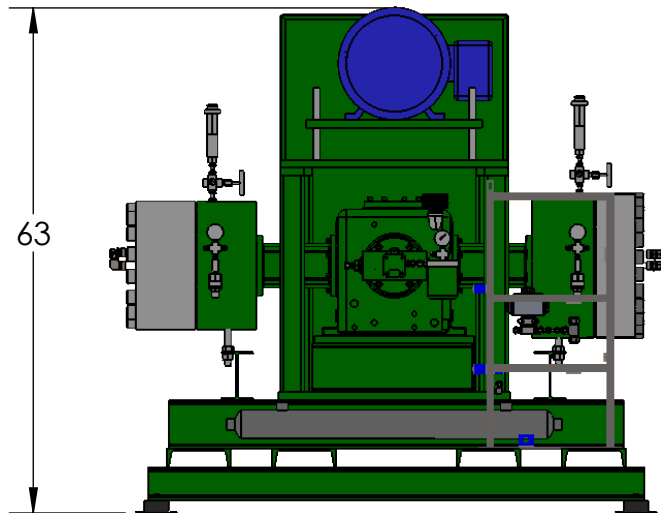
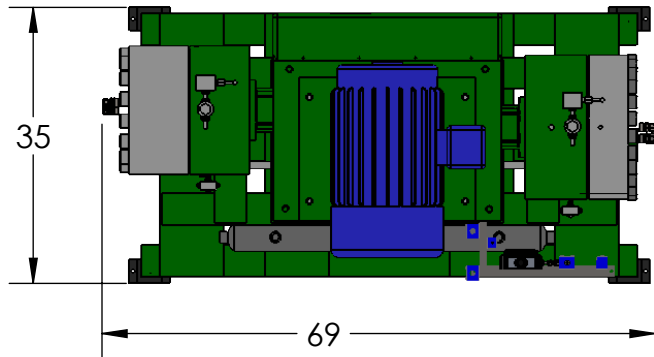
CRATE	HT	WIDTH	LENGTH	WT (LBS)
(2X) EXTRACTOR	76"	63"	76"	1750
SEPARATORS	84"	50"	62"	1350
COMPRESSOR	70"	47"	82"	5000
(2X) CHILLER	62"	45"	36"	500

NOTE: MINIMUM CLEARANCE AROUND SYSTEM IS 36"

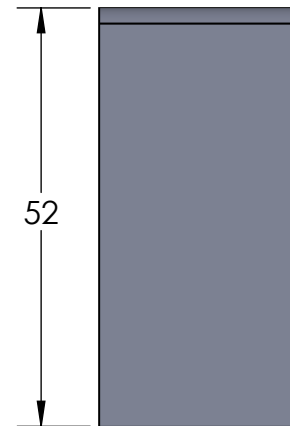
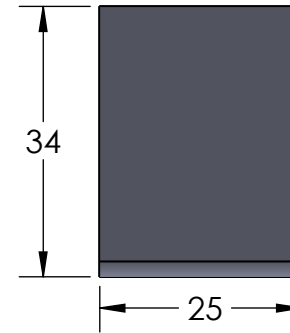
**apeks**®  
SUPERCRITICAL  
The Power of CO<sub>2</sub> Extraction™

150 Commerce Blvd. Johnstown, OH 43031 740-809-1160	TITLE:	1/10/2019
MATERIAL	5000-20LX20LD 2ST FOOTPRINT	
FINISH	DWG. NO.	REV.
RAW MATERIAL	5000-20LX20LD 2ST	
	SCALE: 1:42	SHEET 1 OF 3

DIAPHRAGM PUMP



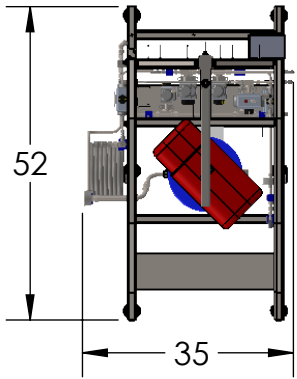
LARGE CHILLER



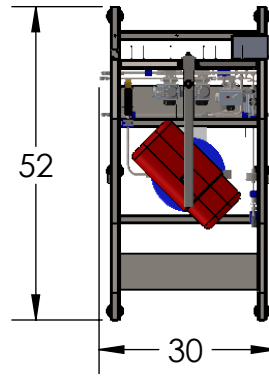
**apeks**®  
**SUPERCritical**  
*The Power of CO<sub>2</sub> Extraction™*

150 Commerce Blvd. Johnstown, OH 43031 740-809-1160	TITLE: 1/10/2019 5000-20LX20LD 2ST FOOTPRINT
MATERIAL	DWG. NO. REV.
FINISH	5000-20LX20LD 2ST
RAW MATERIAL	SCALE: 1:24 SHEET 2 OF 3

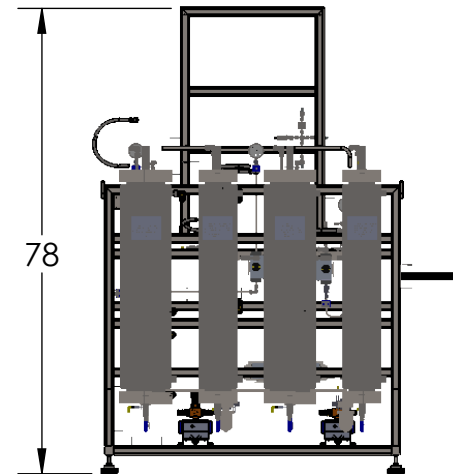
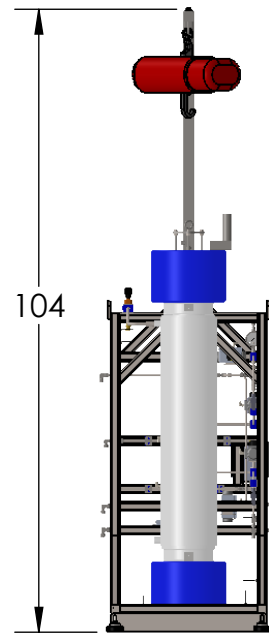
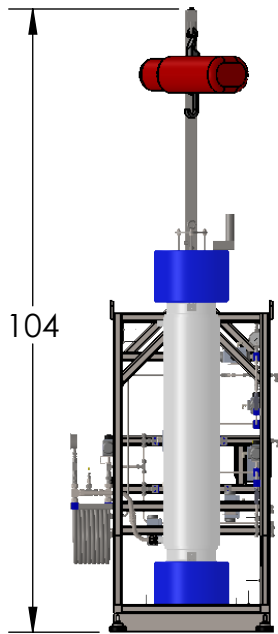
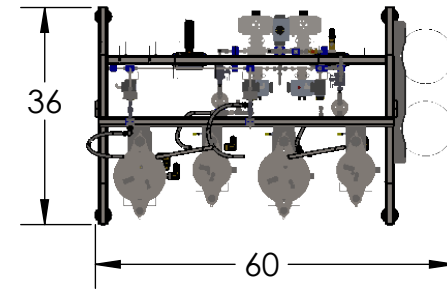
EXTRACTOR B



EXTRACTOR A



SEPARATOR



**apeks**®  
**SUPERCritical**  
 The Power of CO<sub>2</sub> Extraction™

150 Commerce Blvd. Johnstown, OH 43031 740-809-1160	TITLE: 1/10/2019 5000-20Lx20LD 2ST FOOTPRINT
MATERIAL	DWG. NO. REV.
FINISH	5000-20LX20LD 2ST
RAW MATERIAL	SCALE: 1:32 SHEET 3 OF 3