

4

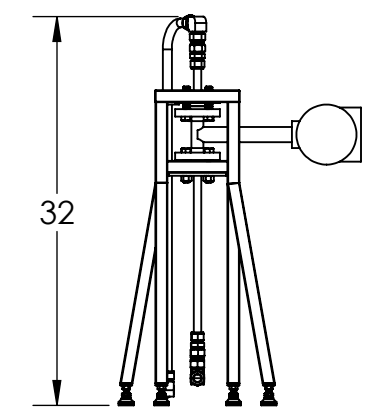
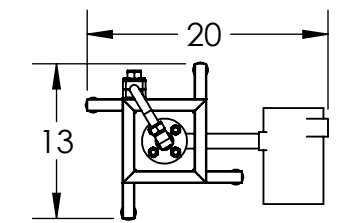
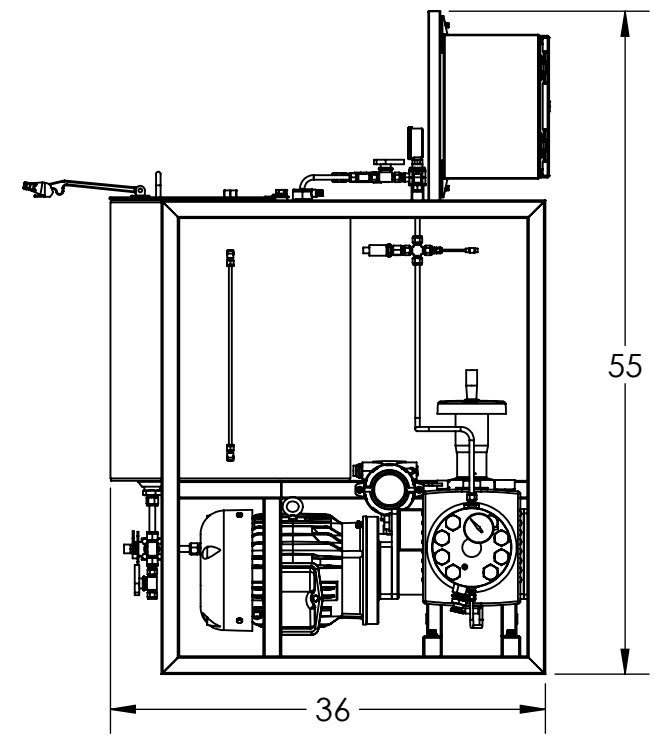
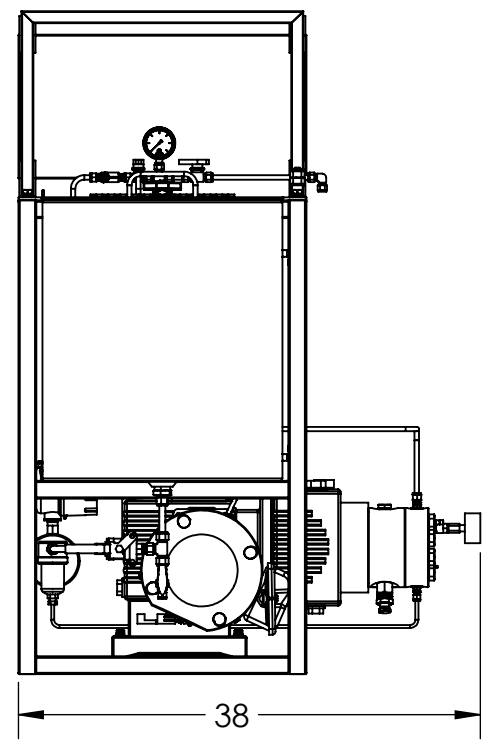
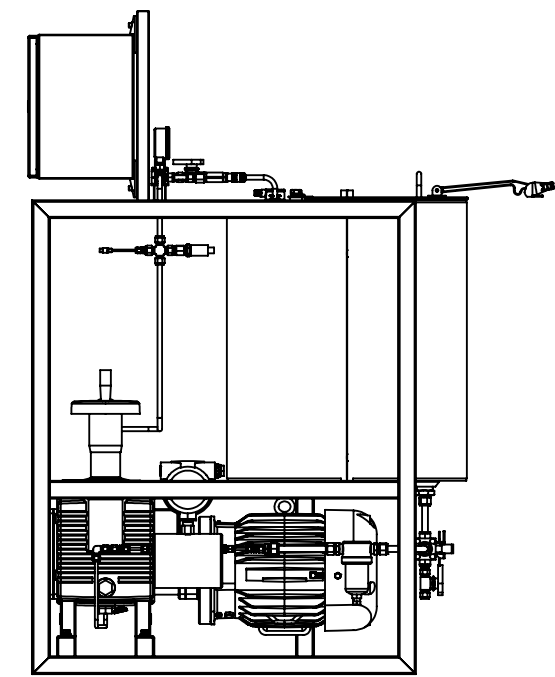
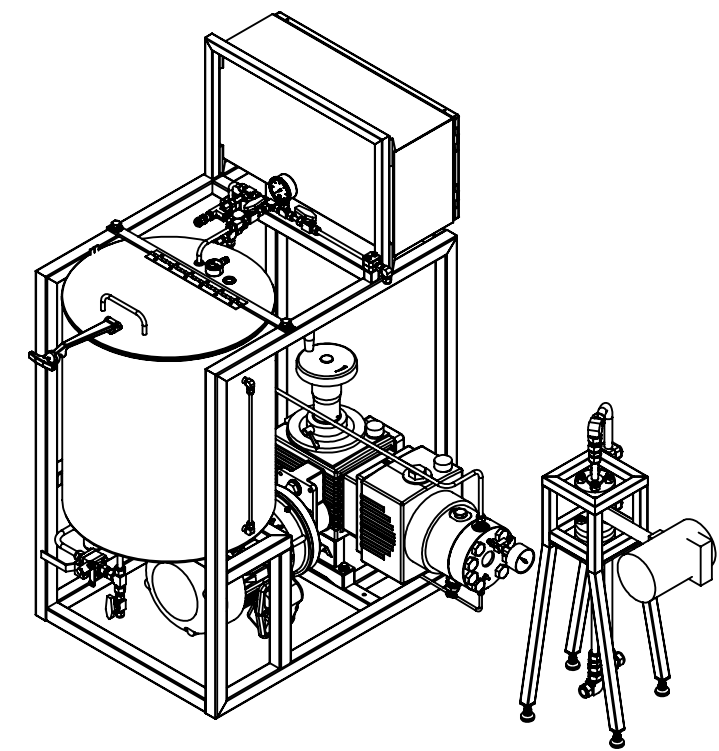
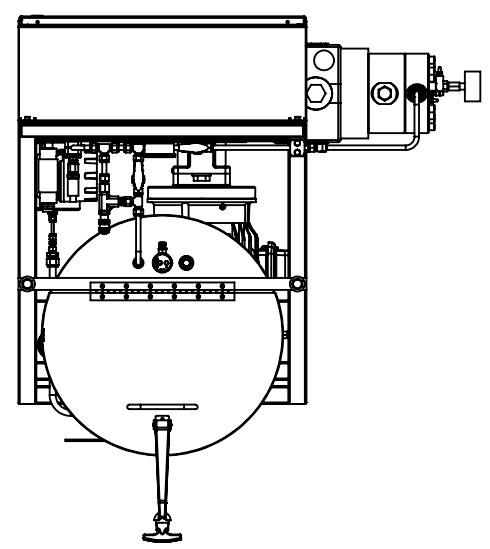
3

2

1

B

B




CO2 FLOW METER: THIS WILL GO BETWEEN THE SEPARATOR STAND AND PUMP.

A

A

STORAGE TANK: THIS SET UP IS FOR FORCE SYSTEMS. THIS WILL BE PLACED ON THE LEFT SIDE OF THE EXTRACTOR STAND.

 <p>31 GREENSCAPE CT, JOHNSTOWN, OH 43031 740-809-1160</p> <p>PROPRIETARY AND CONFIDENTIAL THE INFORMATION CONTAINED IN THIS DRAWING IS THE SOLE PROPERTY OF APEKS SUPERCRITICAL. ANY REPRODUCTION IN PART OR AS A WHOLE WITHOUT THE WRITTEN PERMISSION OF APEKS SUPERCRITICAL IS PROHIBITED.</p>	UNLESS OTHERWISE SPECIFIED:		NAME	DATE	APEKS SUPERCRITICAL TITLE: CO-SOLVENT 5000 ASSEMBLY	
	DIMENSIONS ARE IN INCHES TOLERANCES: FRACTIONAL ± 1/16 ONE PLACE DECIMAL ± 0.125 TWO PLACE DECIMAL ± 0.0625 THREE PLACE DECIMAL ± 0.005		DRAWN	TCW		3/27/2020
	DEBURR AND BREAK SHARP EDGES		CHECKED			
	MATERIAL		ENG APPR.			
	FINISH		MFG APPR.			
DO NOT SCALE DRAWING		Q.A.			SIZE B DWG. NO. ET_CO-COLVENT_02 REV A	
			COMMENTS:		SCALE: 1:16 WEIGHT: SHEET 2 OF 2	

4

3

2

1