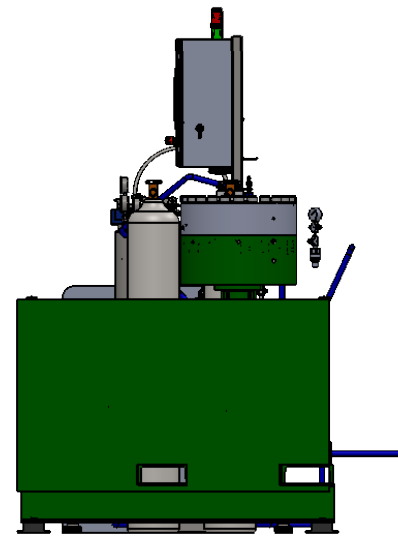
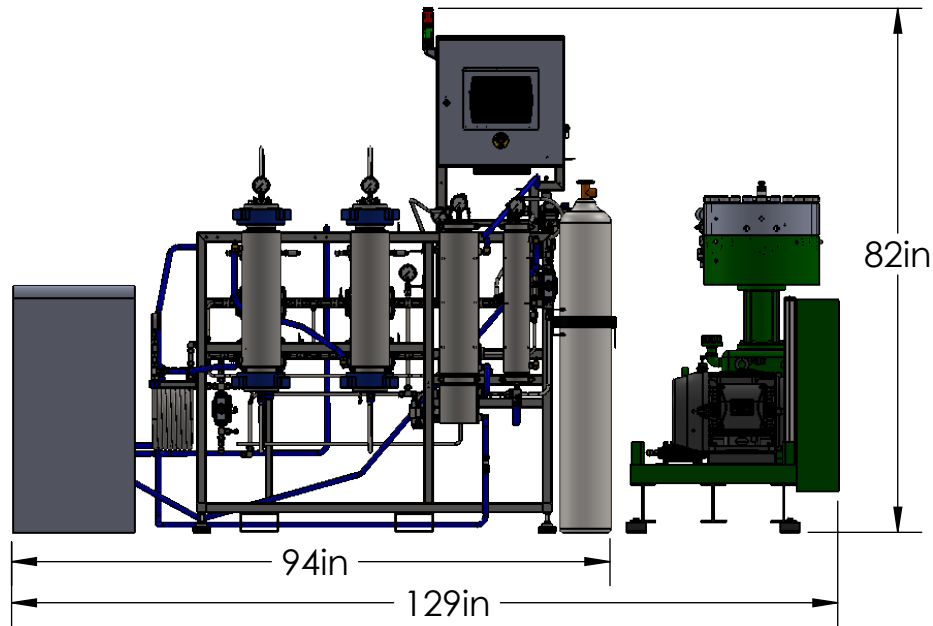


AMBIENT TEMPERATURE REQUIREMENTS: 60-80 F



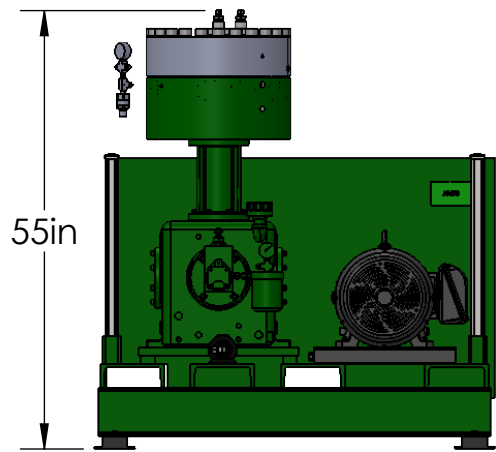
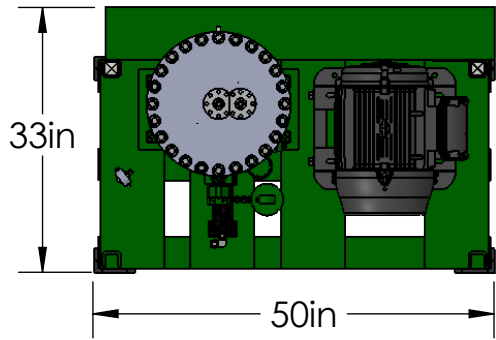
**apeks**®  
**SUPERCritical**  
*The Power of CO<sub>2</sub> Extraction™*

| EQUIPMENT   | CRATE SIZE          | CRATE WT. |
|-------------|---------------------|-----------|
| 2000-5LX5LD | 64.5" X 40" X 80.5" | 950 LBS   |
| DIA. PUMP   | 57" X 39" X 67"     | 2750 LBS  |
| CHILLER     | 48" X 26" X 36"     | 390 LBS   |

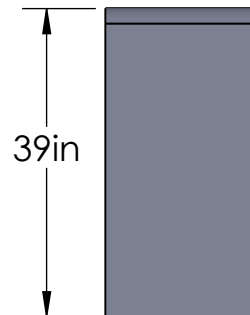
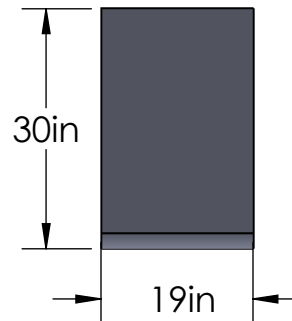
NOTE: MINIMUM CLEARANCE AROUND SYSTEM IS 36"

|   |   |
|---|---|
| 150 Commerce Blvd.<br>Johnstown, OH 43031<br>740-809-1160 | TITLE: 6/1/2018<br>2000-5LX5LD SYSTEM<br>FOOTPRINT SIDE MOUNT<br>PUMP |
| MATERIAL  | DWG. NO. REV.   |
| FINISH  | 2000-5LX5LD SIDE MOUNT  |
| RAW MATERIAL  | SCALE: 1:30 SHEET 1 OF 2  |

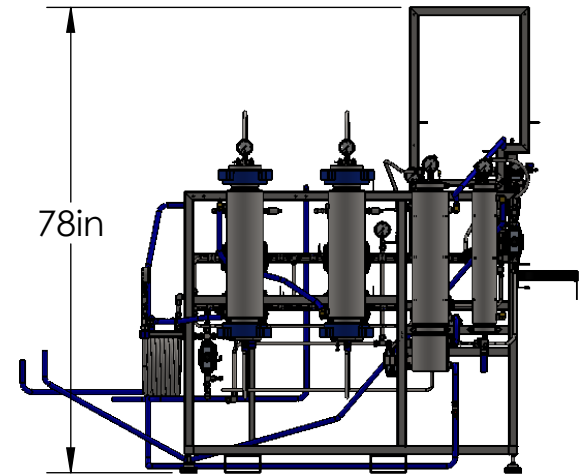
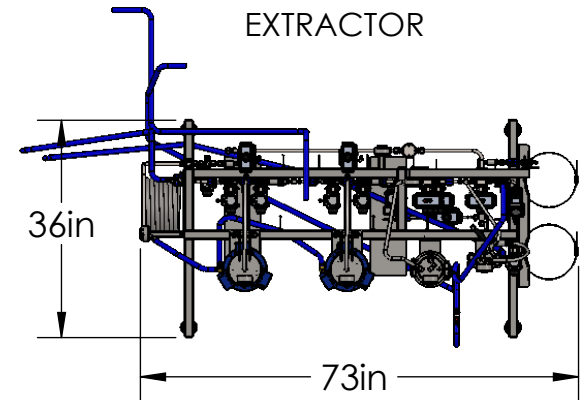
DIAPHRAGM PUMP



CHILLER



EXTRACTOR



**apeks**®  
**SUPERCritical**  
 The Power of CO<sub>2</sub> Extraction™

|   |  |
|---|--|
| 150 Commerce Blvd.<br>Johnstown, OH 43031<br>740-809-1160 | TITLE: 6/1/2018                                    |
| MATERIAL  | 2000-5LX5LD SYSTEM<br>FOOTPRINT SIDE MOUNT<br>PUMP |
| FINISH  | DWG. NO. REV.                                      |
| RAW MATERIAL  | 2000-5LX5LD SIDE MOUNT                             |
|   | SCALE: 1:24 SHEET 2 OF 2                           |