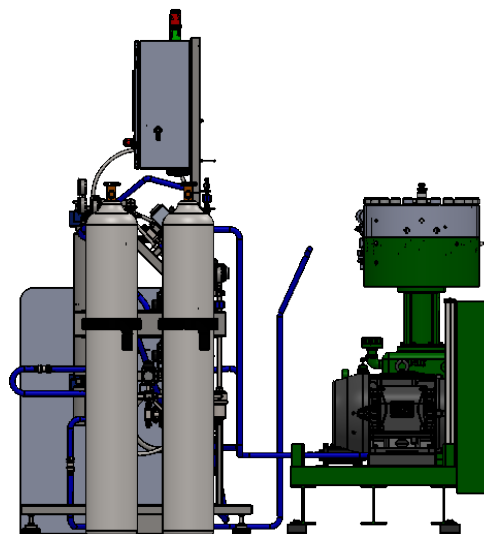
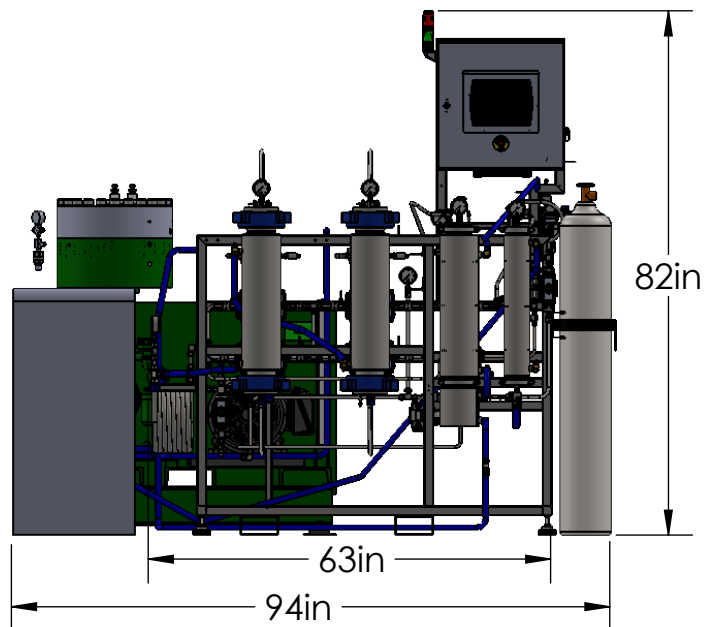
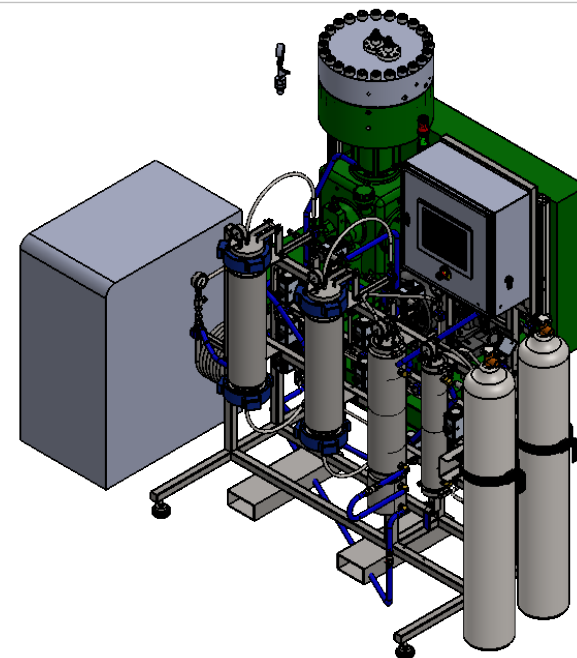


AMBIENT TEMPERATURE  
REQUIREMENTS: 60-80 F



**apeks**®  
SUPERCRITICAL

The Power of CO<sub>2</sub> Extraction™

EQUIPMENT	CRATE SIZE	CRATE WT.
2000-5LX5LD	64.5" X 40" X 80.5"	950 LBS
DIA. PUMP	57" X 39" X 67"	2750 LBS
CHILLER	48" X 26" X 36"	390 LBS

NOTE: MINIMUM CLEARANCE AROUND SYSTEM IS 36"

150 Commerce Blvd.  
Johnstown, OH 43031  
740-809-1160

MATERIAL

FINISH

RAW MATERIAL

TITLE: 6/1/2018

2000-5LX5LD SYSTEM  
FOOTPRINT

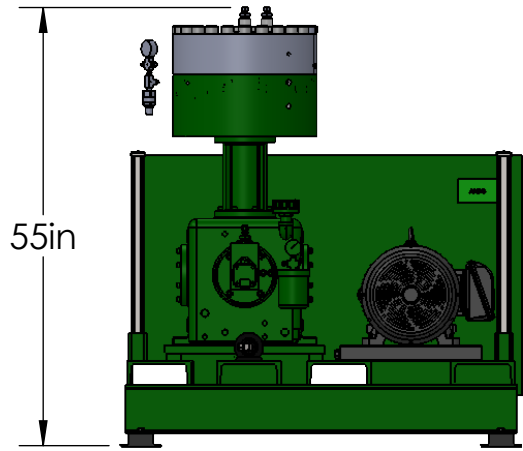
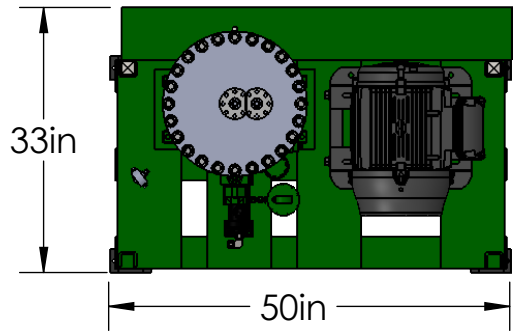
DWG. NO. REV.

2000-5LX5LD

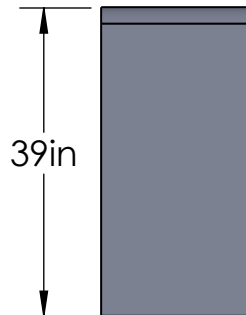
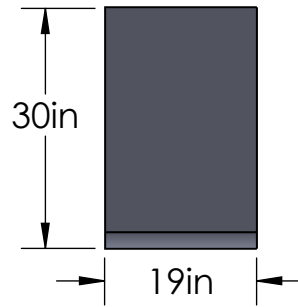
SCALE: 1:30

SHEET 1 OF 2

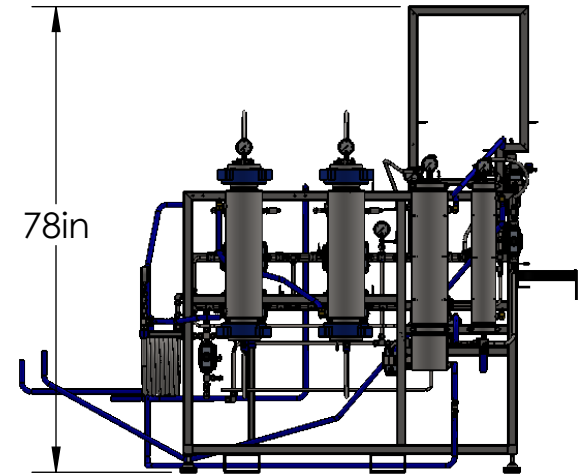
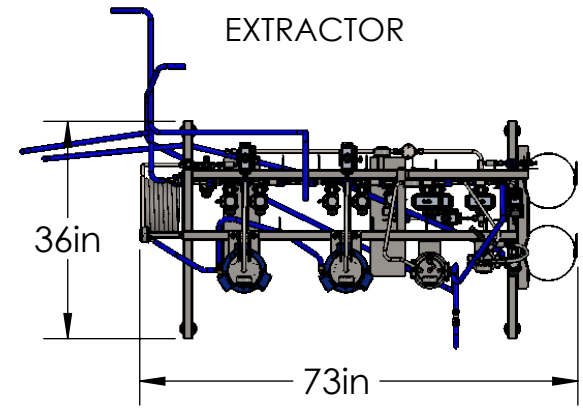
DIAPHRAGM PUMP



CHILLER



EXTRACTOR



**apeks**®  
**SUPERCritical**  
 The Power of CO<sub>2</sub> Extraction™

150 Commerce Blvd. Johnstown, OH 43031 740-809-1160	TITLE: 6/1/2018
	2000-5LX5LD SYSTEM FOOTPRINT
	DWG. NO. 2000-5LX5LD REV. SHEET 2 OF 2
MATERIAL	SCALE: 1:24
FINISH	SHEET 2 OF 2
RAW MATERIAL	SHEET 2 OF 2