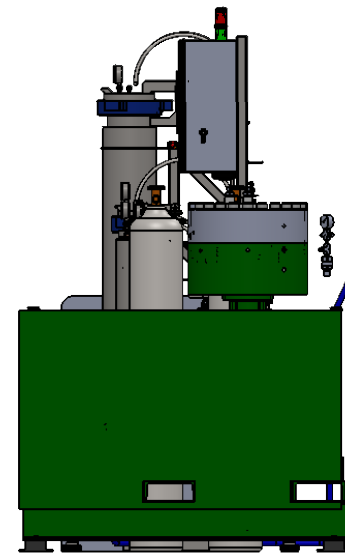
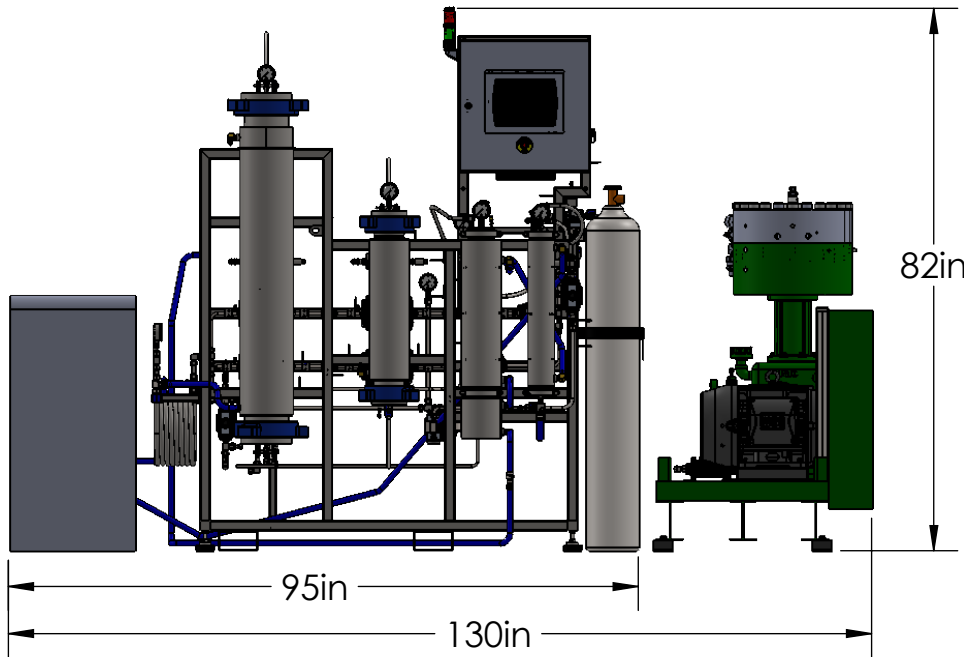


AMBIENT TEMPERATURE  
REQUIREMENTS: 60-80 F



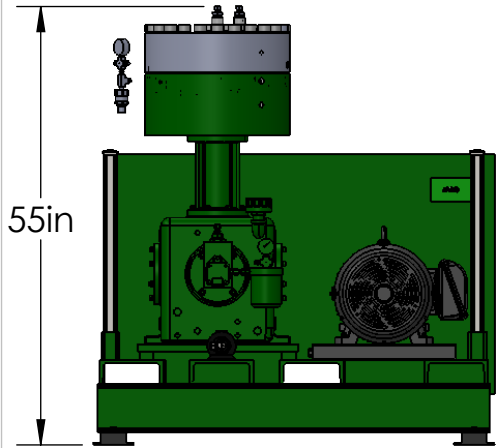
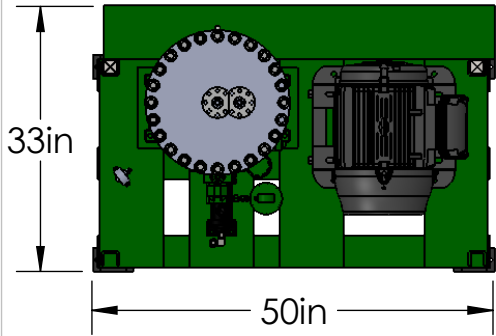
**apeks**®  
SUPERCRITICAL  
The Power of CO<sub>2</sub> Extraction™

EQUIPMENT	CRATE SIZE	CRATE WT.
2000-5LX20LD	65" X 40" X 82"	1125 LBS
DIA. PUMP	57" X 39" X 67"	2750 LBS
CHILLER	48" X 26" X 36"	390 LBS

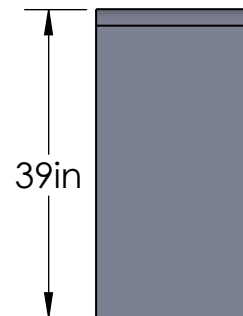
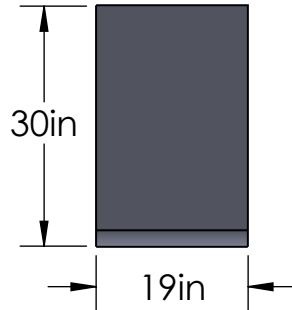
NOTE: MINIMUM CLEARANCE AROUND SYSTEM IS 36"

150 Commerce Blvd. Johnstown, OH 43031 740-809-1160	TITLE: 6/1/2018
MATERIAL	2000-5LX20LD SYSTEM FOOTPRINT SIDE MOUNT
FINISH	DWG. NO. REV.
RAW MATERIAL	2000-5LX20LD SIDE MOUNT
	SCALE: 1:29 SHEET 1 OF 2

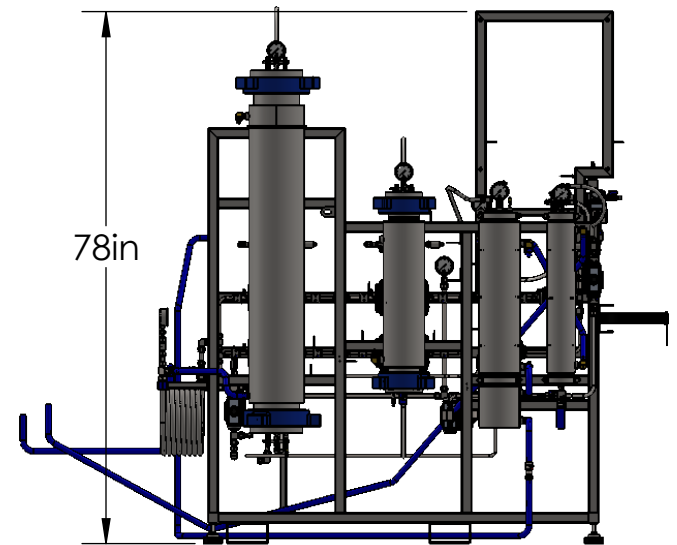
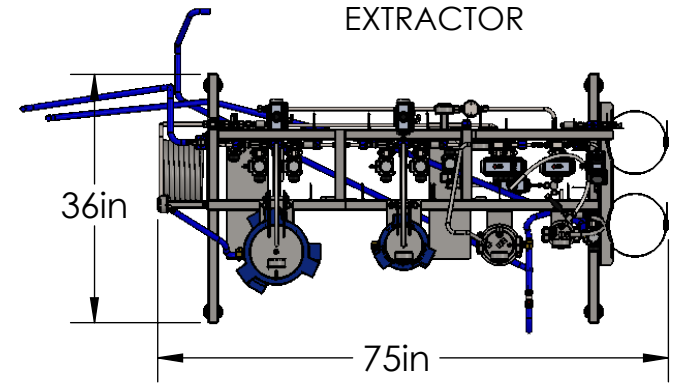
DIAPHRAGM PUMP



CHILLER



EXTRACTOR



**apeks**®  
**SUPERCritical**  
 The Power of CO<sub>2</sub> Extraction™

150 Commerce Blvd. Johnstown, OH 43031 740-809-1160		TITLE: 6/1/2018	
MATERIAL		2000-5LX20LD SYSTEM FOOTPRINT SIDE MOUNT	
FINISH		DWG. NO. REV.	
RAW MATERIAL		2000-5LX20LD SIDE MOUNT	
		SCALE: 1:24	SHEET 2 OF 2