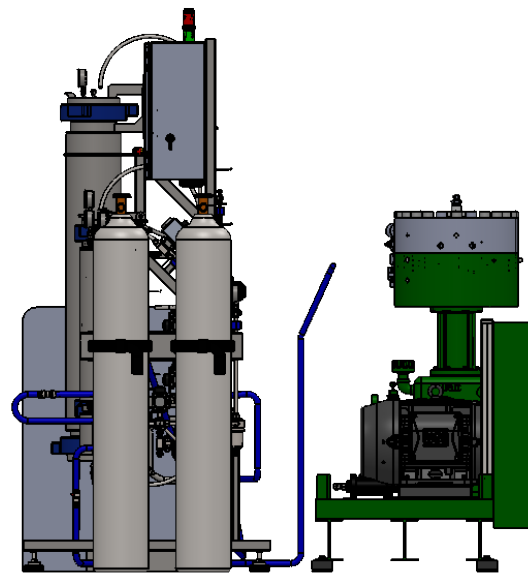
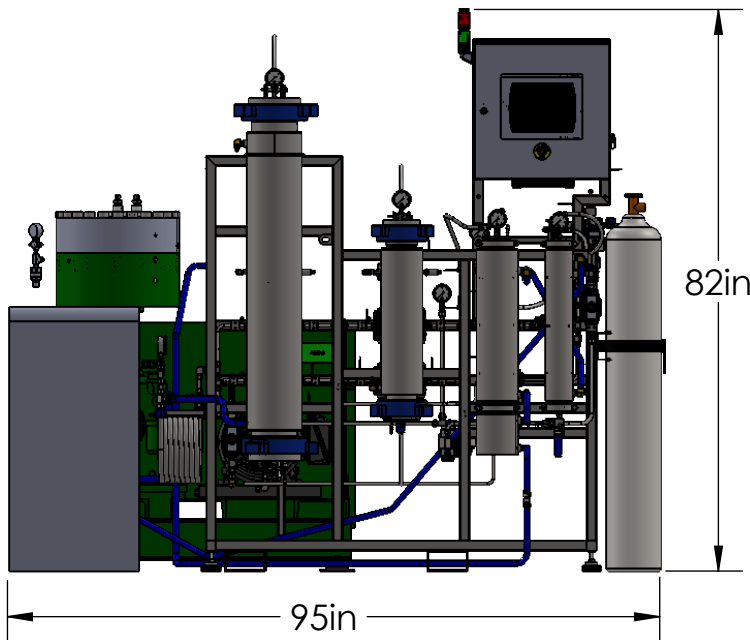
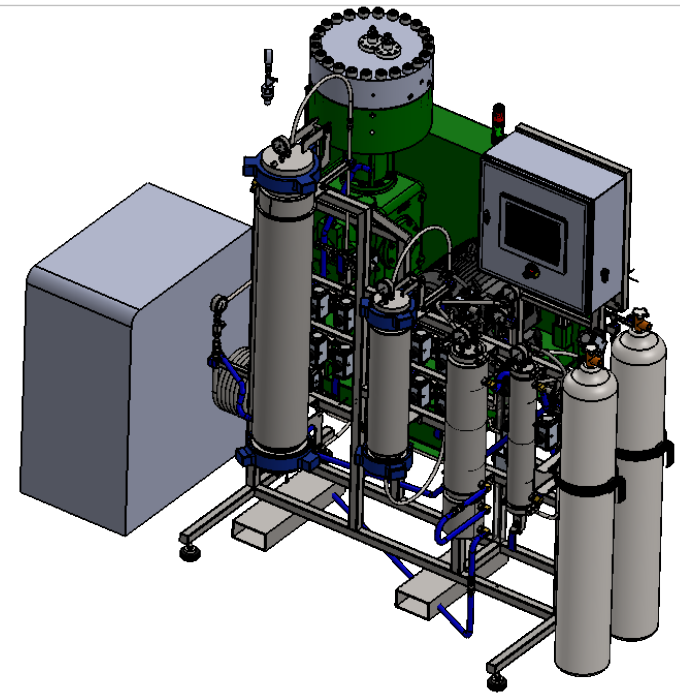


AMBIENT TEMPERATURE
REQUIREMENTS: 60-80 F



apeks®
SUPERCRITICAL
The Power of CO₂ Extraction™

EQUIPMENT	CRATE SIZE	CRATE WT.
2000-5LX20LD	65" X 40" X 82"	1125 LBS
DIA. PUMP	57" X 39" X 67"	2750 LBS
CHILLER	48" X 26" X 36"	390 LBS

NOTE: MINIMUM CLEARANCE AROUND SYSTEM IS 36"

150 Commerce Blvd.
Johnstown, OH 43031
740-809-1160

MATERIAL

FINISH

RAW MATERIAL

TITLE: 6/1/2018

2000-5LX20LD SYSTEM
FOOTPRINT

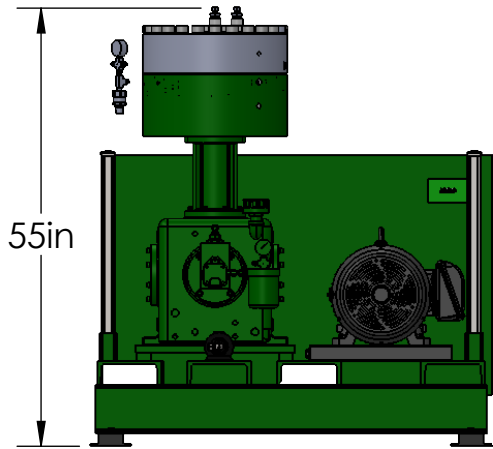
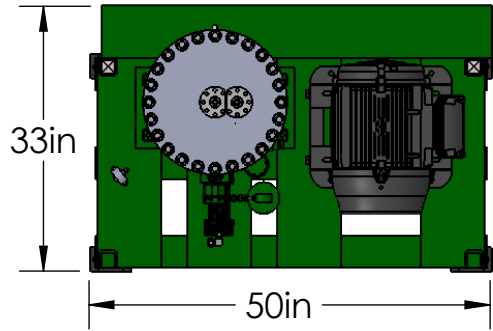
DWG. NO. REV.

2000-5LX20LD

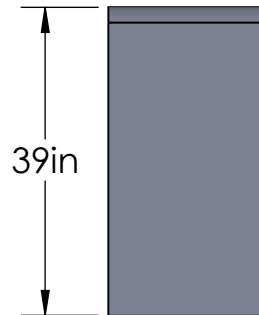
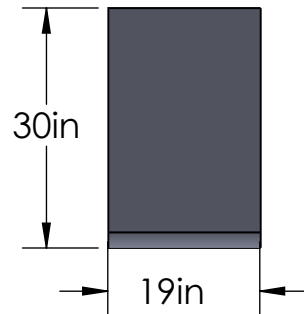
SCALE: 1:28

SHEET 1 OF 2

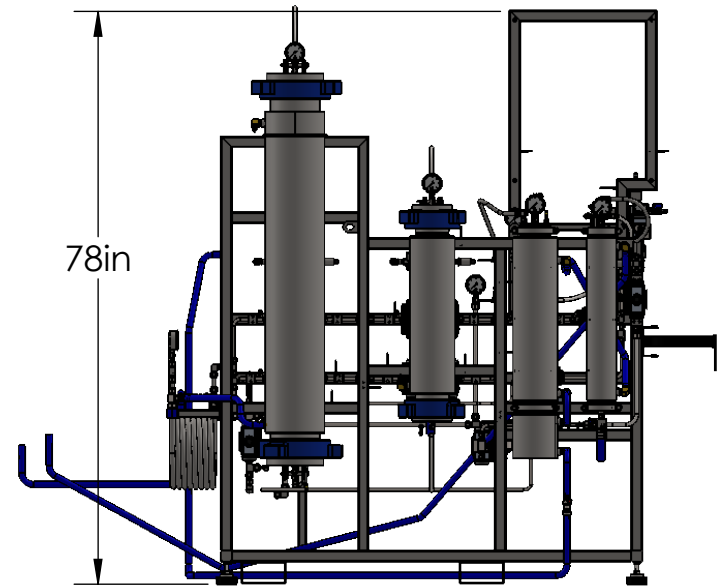
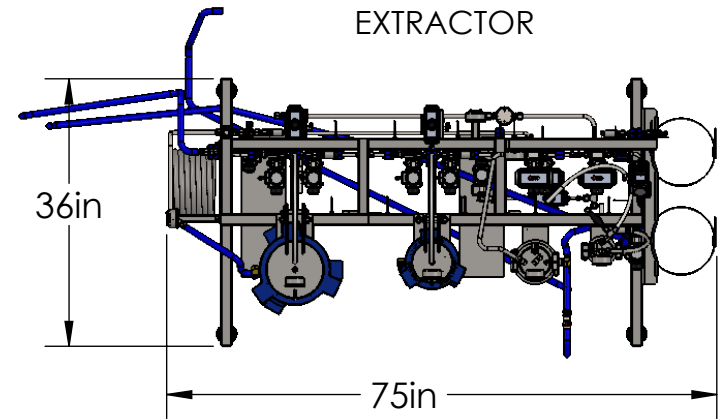
DIAPHRAGM PUMP



CHILLER



EXTRACTOR



The Power of CO₂ Extraction™

150 Commerce Blvd. Johnstown, OH 43031 740-809-1160		TITLE: 6/1/2018	
MATERIAL		2000-5LX20LD SYSTEM FOOTPRINT	
FINISH		DWG. NO. REV.	
RAW MATERIAL		2000-5LX20LD	
		SCALE: 1:24	SHEET 2 OF 2