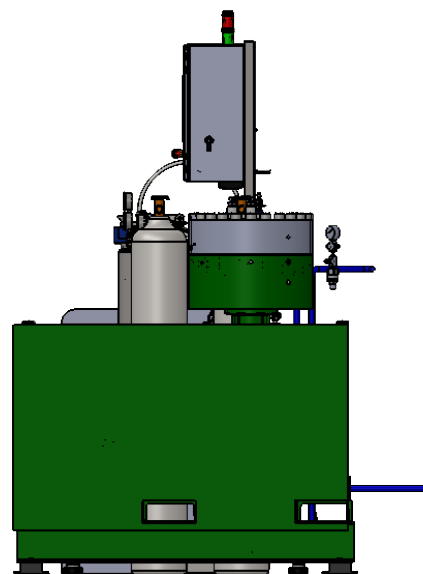
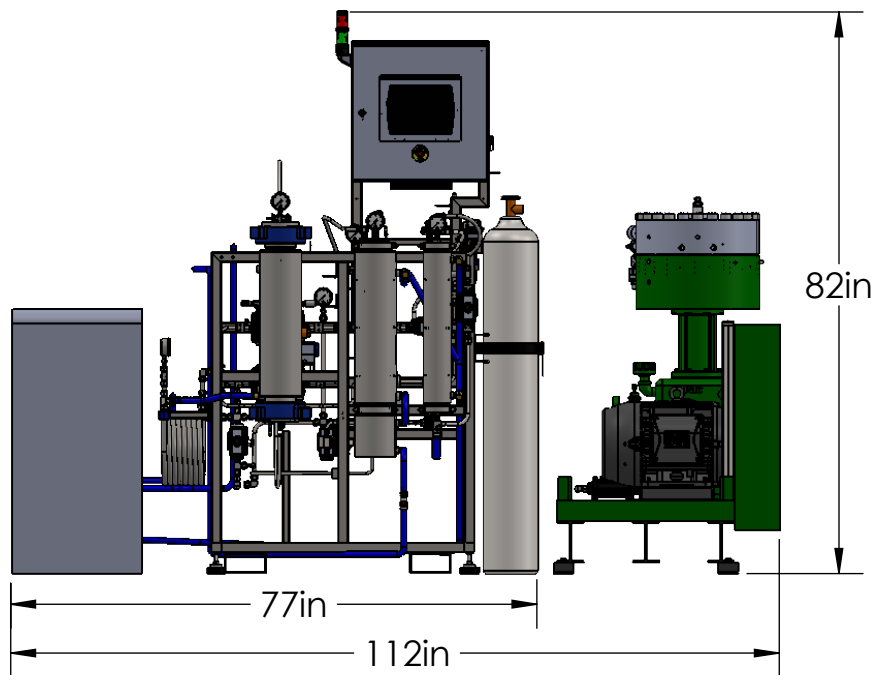


AMBIENT TEMPERATURE  
REQUIREMENTS: 60-80 F



**apeks**®  
SUPERCRITICAL

The Power of CO<sub>2</sub> Extraction™

EQUIPMENT	CRATE SIZE	CRATE WT.
2000-5LD	40" X 48" X 80.5"	750 LBS
DIA. PUMP	57" X 39" X 67"	2750 LBS
CHILLER	48" X 26" X 36"	390 LBS

NOTE: MINIMUM CLEARANCE AROUND SYSTEM IS 36"

150 Commerce Blvd.  
Johnstown, OH 43031  
740-809-1160

MATERIAL

FINISH

RAW MATERIAL

TITLE: 6/1/2018

2000-5LD SYSTEM FOOTPRINT

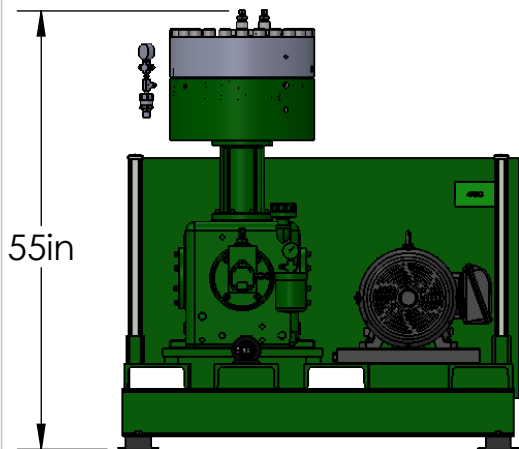
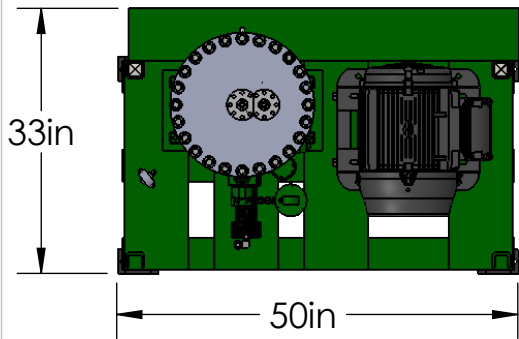
DWG. NO. REV.

2000-5LD SIDE MOUNT

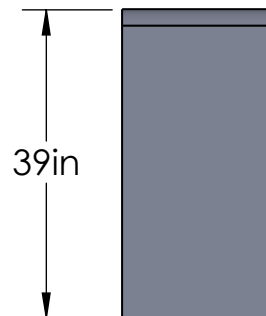
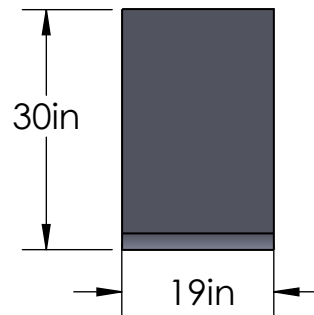
SCALE: 1:28

SHEET 1 OF 2

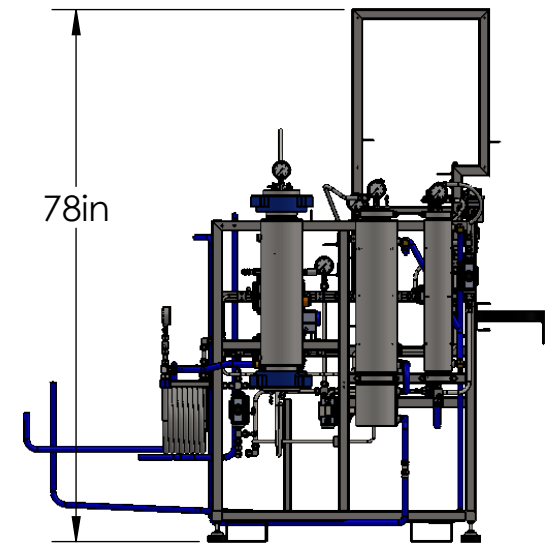
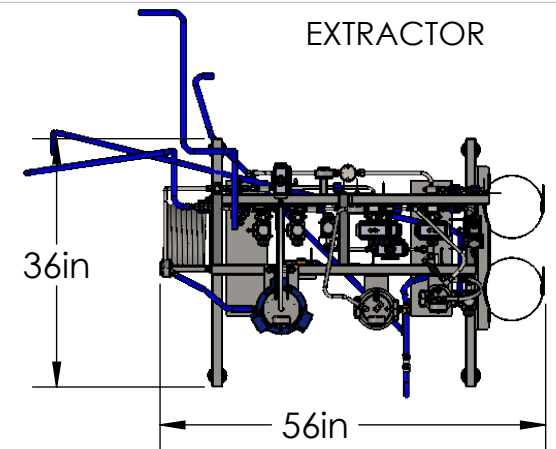
DIAPHRAGM PUMP



CHILLER



EXTRACTOR



**apeks**®  
**SUPERCritical**  
 The Power of CO<sub>2</sub> Extraction™

150 Commerce Blvd. Johnstown, OH 43031 740-809-1160	TITLE: 6/1/2018 2000-5LD SYSTEM FOOTPRINT
MATERIAL	DWG. NO. REV.
FINISH	2000-5LD SIDE MOUNT
RAW MATERIAL	SCALE: 1:24 SHEET 2 OF 2