

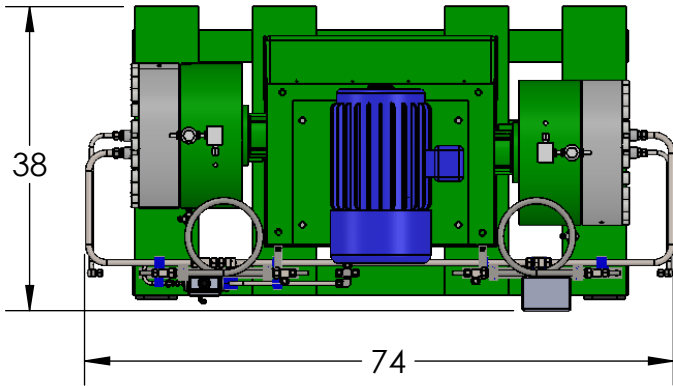
**apeks**®  
**SUPERCritical**  
*The Power of CO<sub>2</sub> Extraction™*

CRATE	HT	WIDTH	LENGTH	WT (LBS)
EXTRACTOR	83"	57"	85"	1650
SEPARATORS	78"	42"	55"	950
COMPRESSOR	70"	82"	47"	4600
(2X)LG CHILLER	62"	45"	36"	500

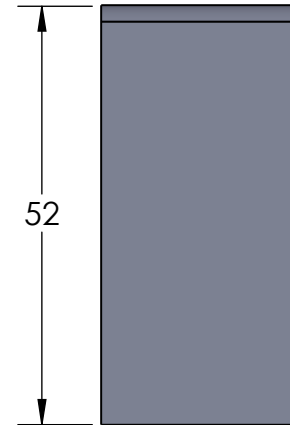
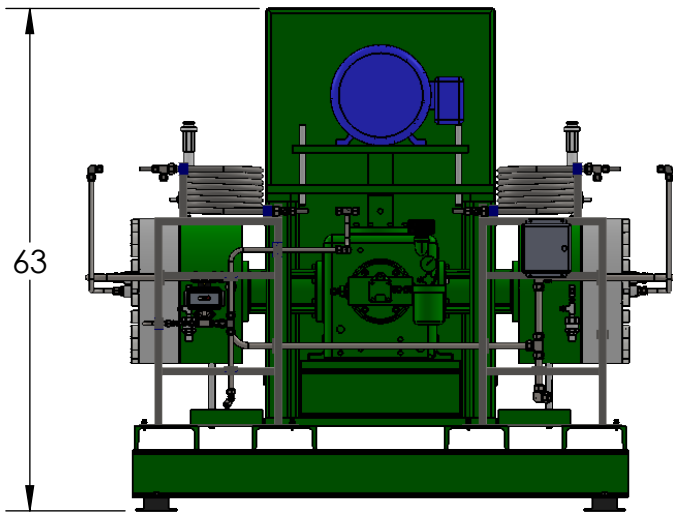
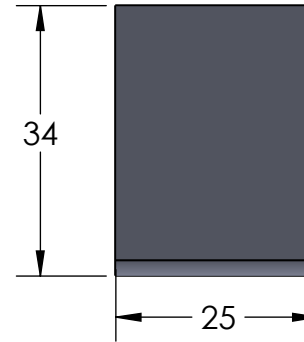
NOTE: MINIMUM CLEARANCE AROUND SYSTEM IS 36"

150 Commerce Blvd. Johnstown, OH 43031 740-809-1160	TITLE: 1/11/2019 2000-4X20DU WITH INDOOR CHILLERS
MATERIAL	
FINISH	DWG. NO. REV. 2000-4X20 DUPLEX W.CHIL
RAW MATERIAL	SCALE: 1:48 SHEET 1 OF 3

DIAPHRAGM  
PUMP



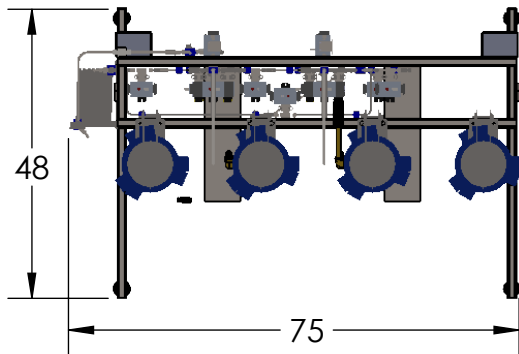
LARGE  
CHILLER



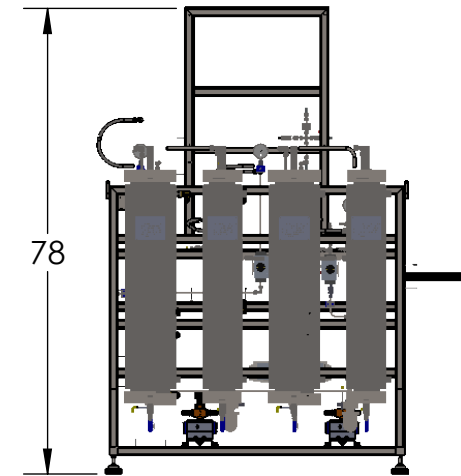
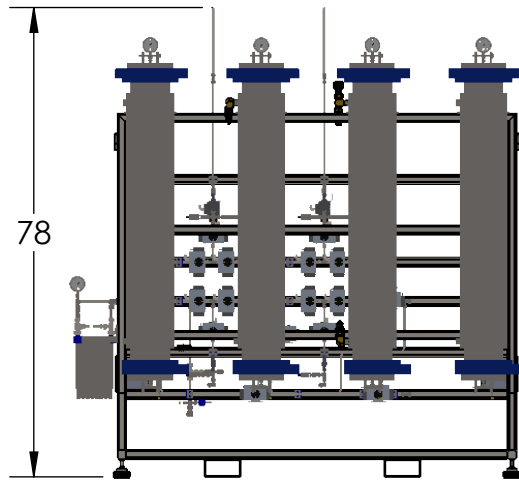
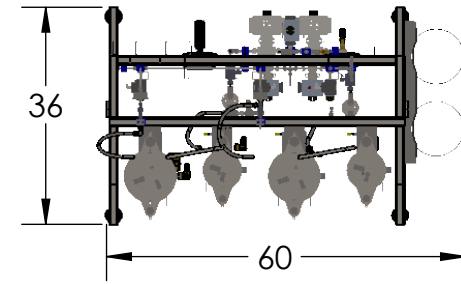
**apeks**®  
SUPERCritical  
*The Power of CO<sub>2</sub> Extraction™*

150 Commerce Blvd. Johnstown, OH 43031 740-809-1160	TITLE: 1/11/2019 2000-4X20DU WITH INDOOR CHILLERS
MATERIAL	DWG. NO. REV. 2000-4X20 DUPLEX W.CHIL
FINISH	SCALE: 1:24 SHEET 2 OF 3
RAW MATERIAL	

EXTRACTOR



SEPARATOR



150 Commerce Blvd. Johnstown, OH 43031 740-809-1160	TITLE: 1/11/2019 2000-4X20DU WITH INDOOR CHILLERS
MATERIAL	DWG. NO. REV. 2000-4X20 DUPLEX W.CHIL
FINISH	
RAW MATERIAL	SCALE: 1:32 SHEET 3 OF 3