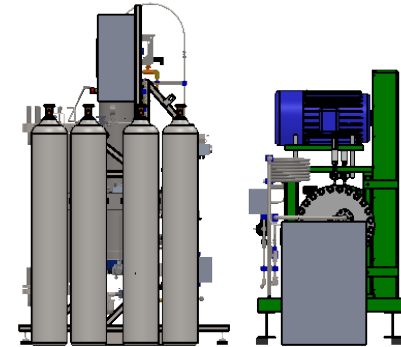
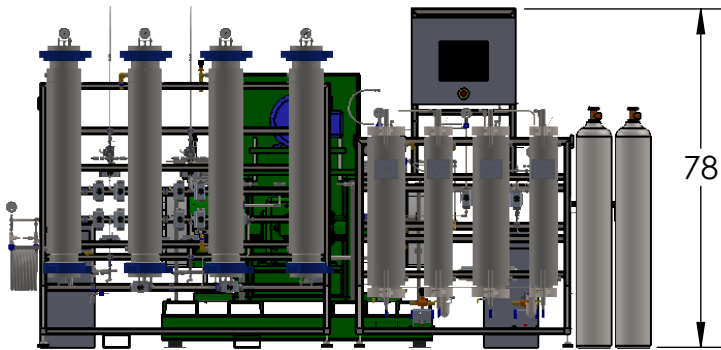


AMBIANT TEMPERATURE
REQUIREMENTS: 60-80 F



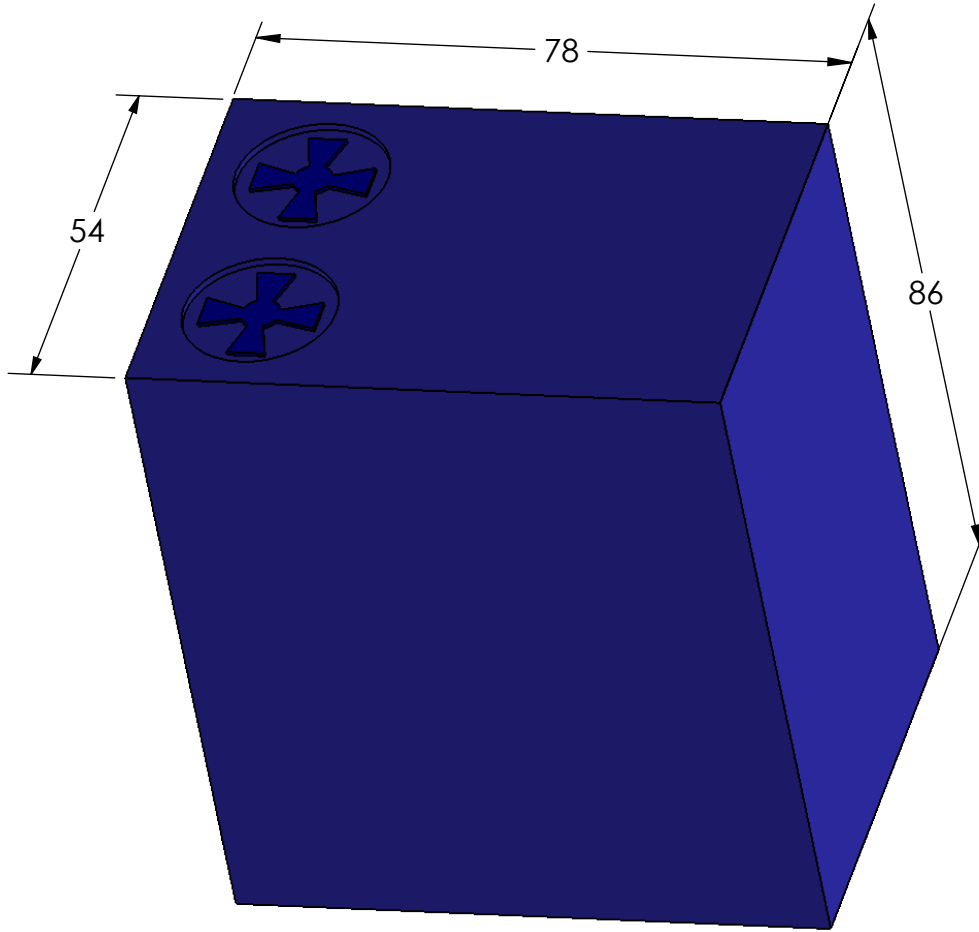
COOLING TOWER TO BE
LOCATED OUTSIDE
SEE SHEET 2

apeks®
SUPERCRITICAL
The Power of CO₂ Extraction™

CRATE	HT	WIDTH	LENGTH	WT (LBS)
EXTRACTOR	83"	57"	85"	1650
SEPERATORS	78"	42"	55"	950
COMPRESSOR	70"	82"	47"	4600

NOTE: MINIMUM CLEARANCE AROUND SYSTEM IS 36"

150 Commerce Blvd. Johnstown, OH 43031 740-809-1160	TITLE: 11/13/2018 2000-4X20DU WITH TCU
MATERIAL	
FINISH	DWG. NO. REV. 2000-4X20 DUPLEX W TOWER
RAW MATERIAL	SCALE: 1:44 SHEET 1 OF 4

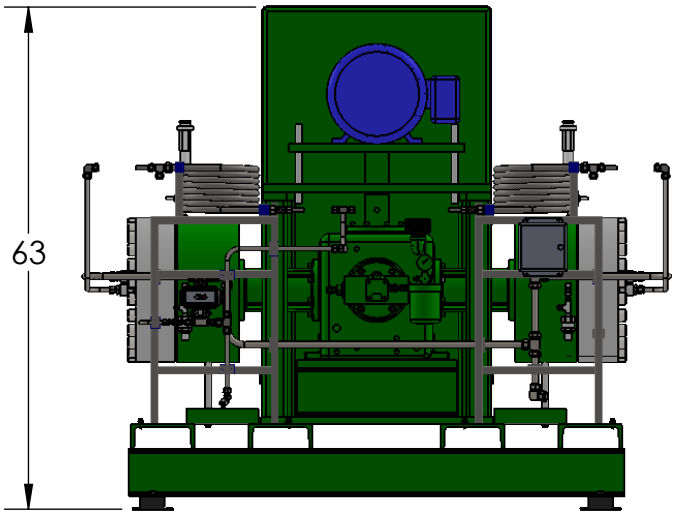
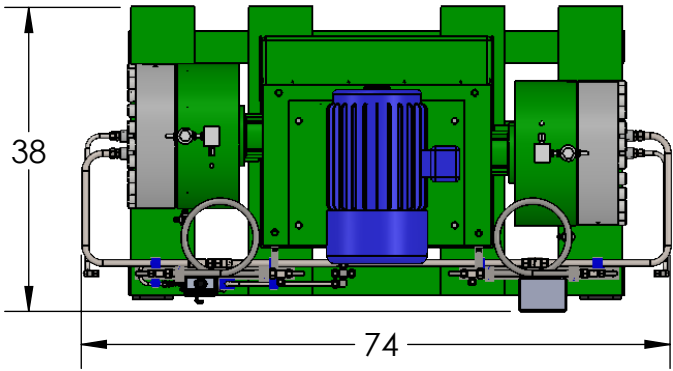


10 TON COOLING TOWER

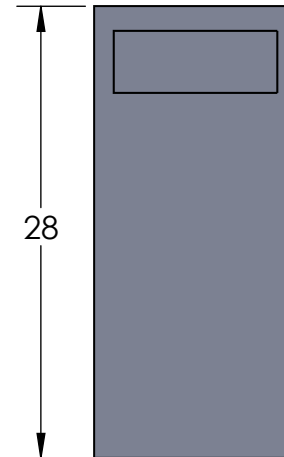
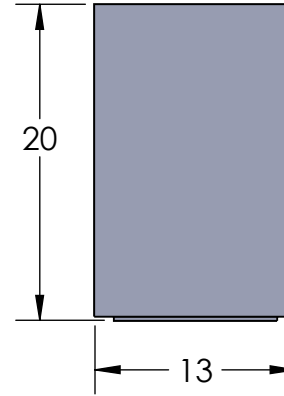


150 Commerce Blvd. Johnstown, OH 43031 740-809-1160	TITLE: 11/13/2018 2000-4X20DU WITH TCU	
MATERIAL	DWG. NO. REV.	
FINISH	2000-4X20 DUPLEX W TOWER	
RAW MATERIAL	SCALE: 1:44	SHEET 2 OF 4

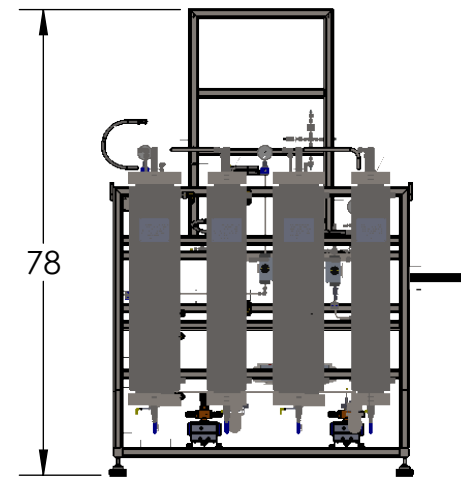
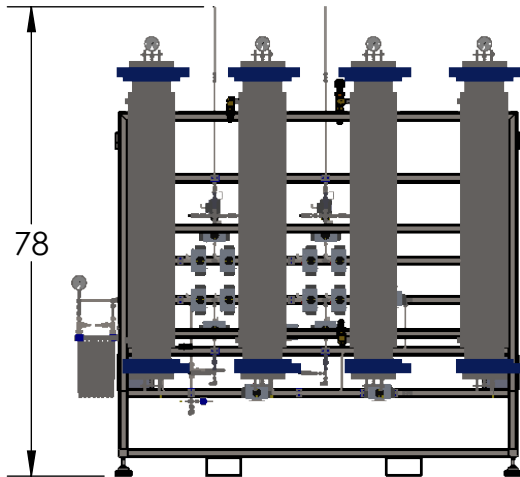
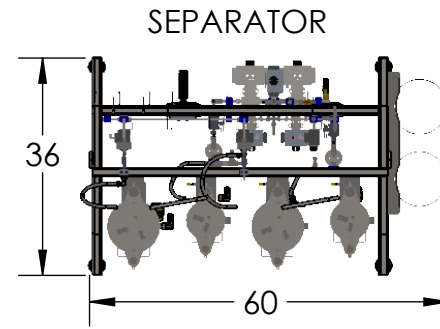
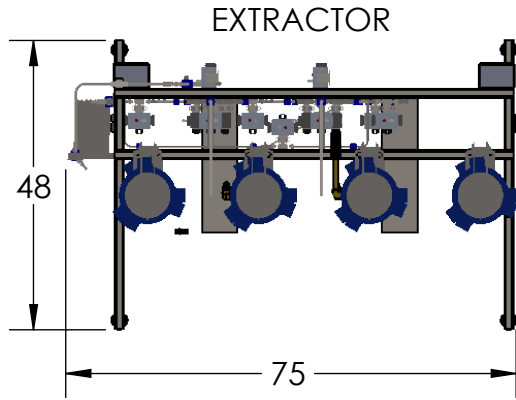
DIAPHRAGM PUMP



2X TEMPERATURE CONTROL UNIT



150 Commerce Blvd. Johnstown, OH 43031 740-809-1160		TITLE: 11/13/2018 2000-4X20DU WITH TCU	
MATERIAL		DWG. NO. REV.	
FINISH		2000-4X20 DUPLEX W TOWER	
RAW MATERIAL		SCALE: 1:24	SHEET 3 OF 4



apeks®
SUPERCritical
The Power of CO₂ Extraction™

150 Commerce Blvd. Johnstown, OH 43031 740-809-1160	TITLE: 11/13/2018 2000-4X20DU WITH TCU
MATERIAL	DWG. NO. REV.
FINISH	2000-4X20 DUPLEX W TOWER
RAW MATERIAL	SCALE: 1:32 SHEET 4 OF 4