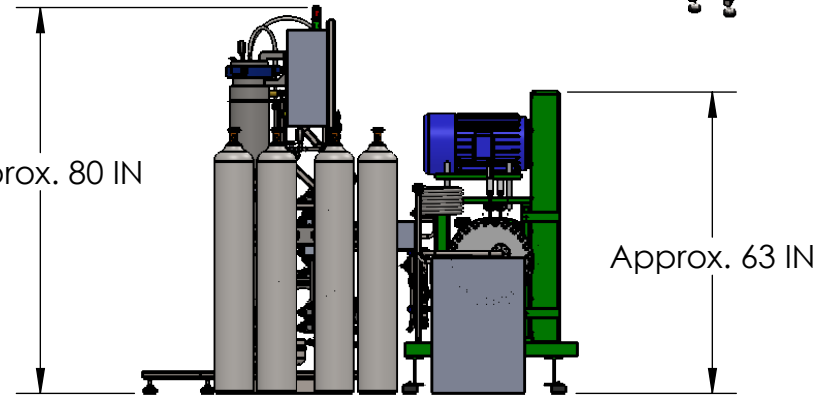
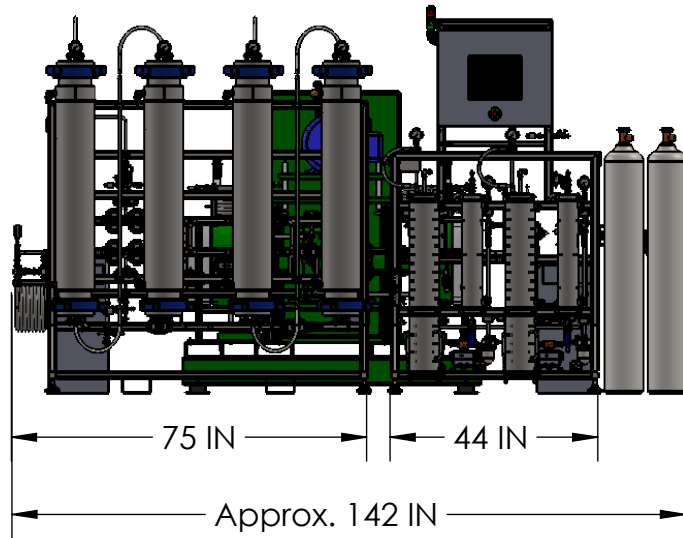
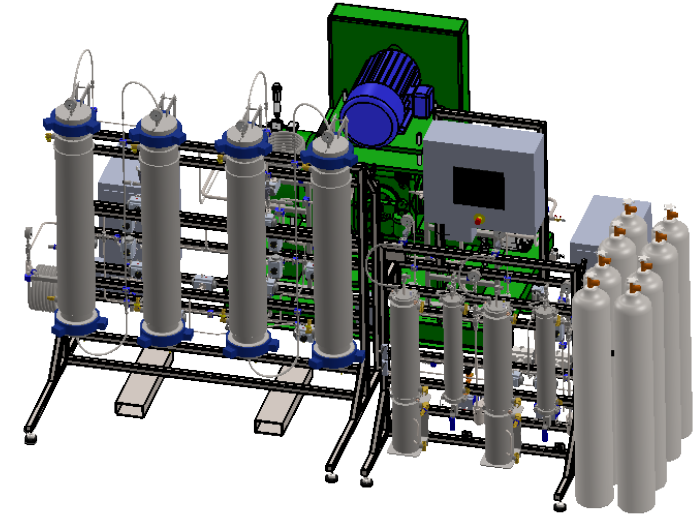
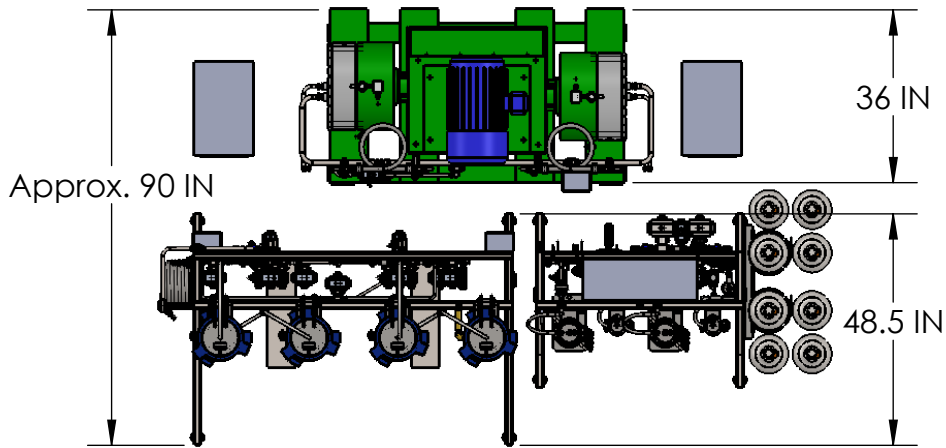


AMBIENT TEMPERATURE REQUIREMENTS: 60-80 F
 MINIMUM CLEARANCE AROUND SYSTEM IS 36"



apeks®
 SUPERCritical
 The Power of CO₂ Extraction™

Crate	Height	Width	Length	Weight
Extractors	83"	57"	85"	1650 lbs
Separators	78"	42"	55"	950 lbs
Compressor	70"	82"	47"	4600 lbs
TCUs	36"	48"	48"	500 lbs
Step-Up Transformer	46"	34"	32"	1000 lbs

150 Commerce Blvd.
 Johnstown, OH 43031
 740-809-1160

MATERIAL

FINISH

RAW MATERIAL

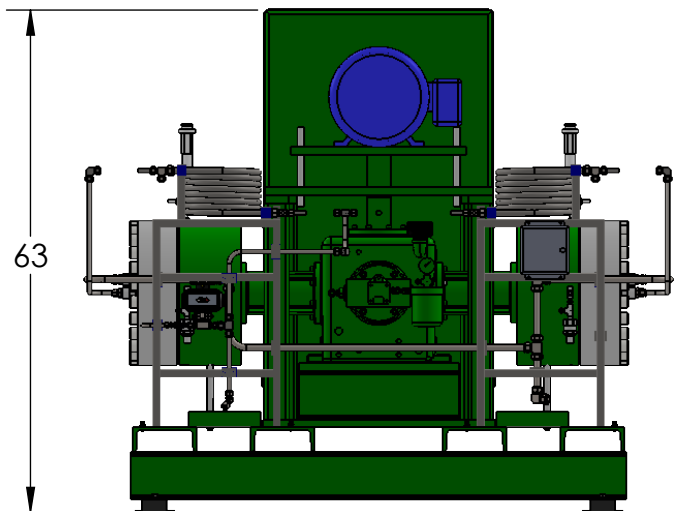
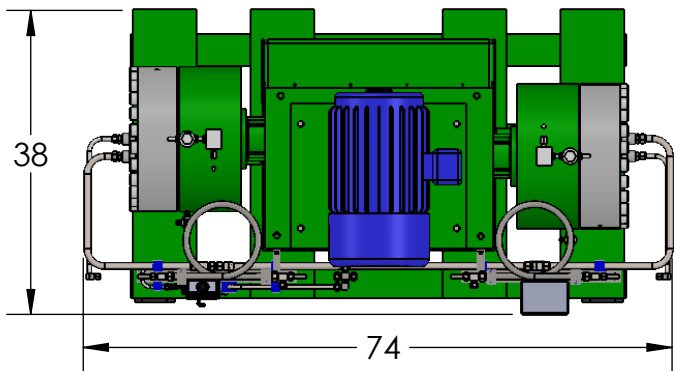
TITLE: 8/29/2019
 2000-4X20DU WITH TCU

DWG. NO. REV.
 2000-4X20 DUPLEX W TOWER

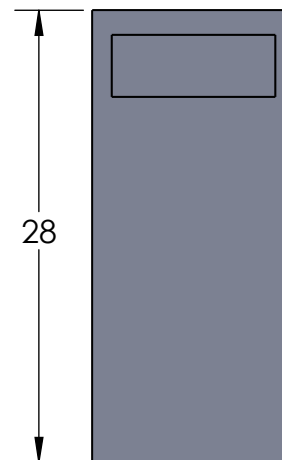
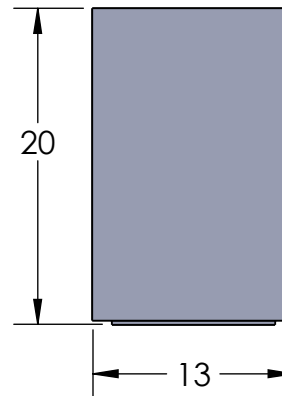
SCALE: 1:40

SHEET 1 OF 3

DIAPHRAGM PUMP

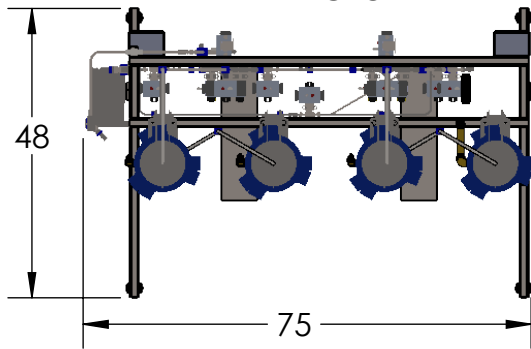


2X TEMPERATURE CONTROL UNIT

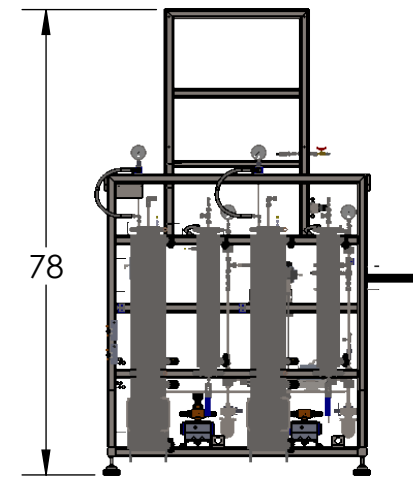
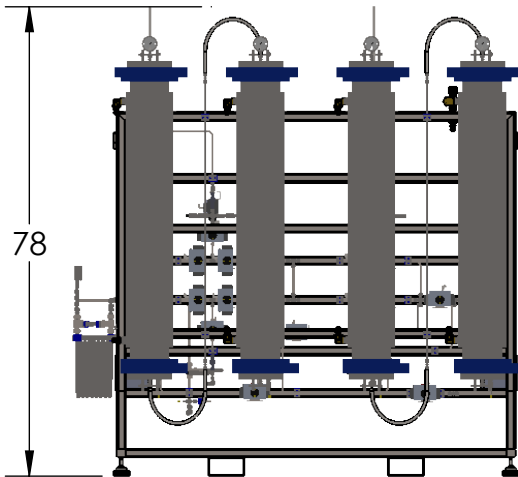
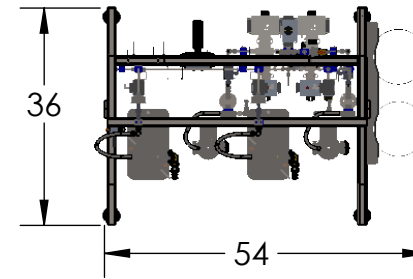


150 Commerce Blvd. Johnstown, OH 43031 740-809-1160		TITLE: 8/29/2019 2000-4X20DU WITH TCU	
MATERIAL		DWG. NO. REV.	
FINISH		2000-4X20 DUPLEX W TOWER	
RAW MATERIAL		SCALE: 1:24	SHEET 2 OF 3

EXTRACTOR



SEPARATOR



150 Commerce Blvd. Johnstown, OH 43031 740-809-1160	TITLE:	8/29/2019 2000-4X20DU WITH TCU
	MATERIAL	
	FINISH	DWG. NO. REV. 2000-4X20 DUPLEX W TOWER
	RAW MATERIAL	SCALE: 1:32 SHEET 3 OF 3