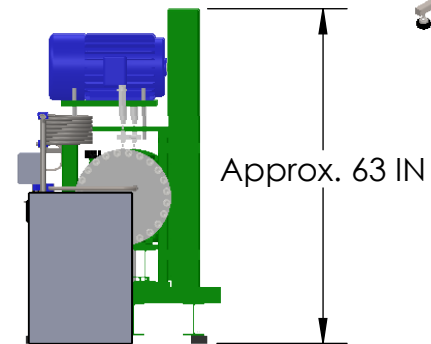
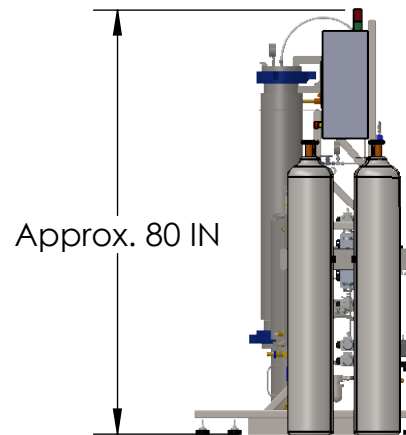
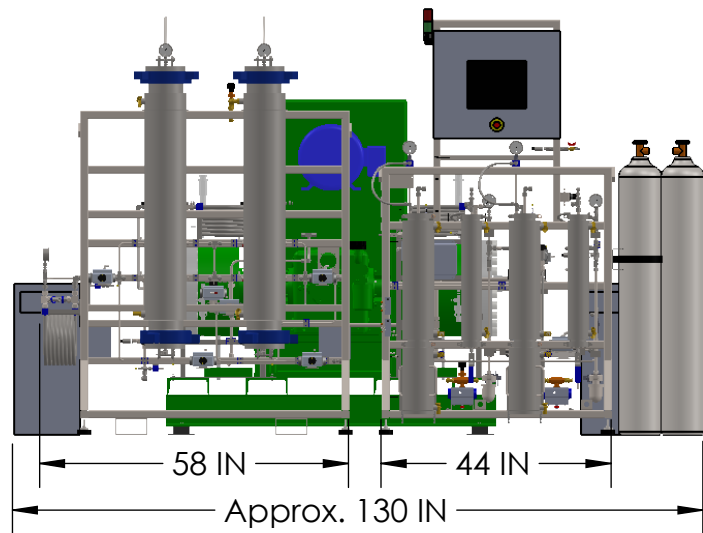
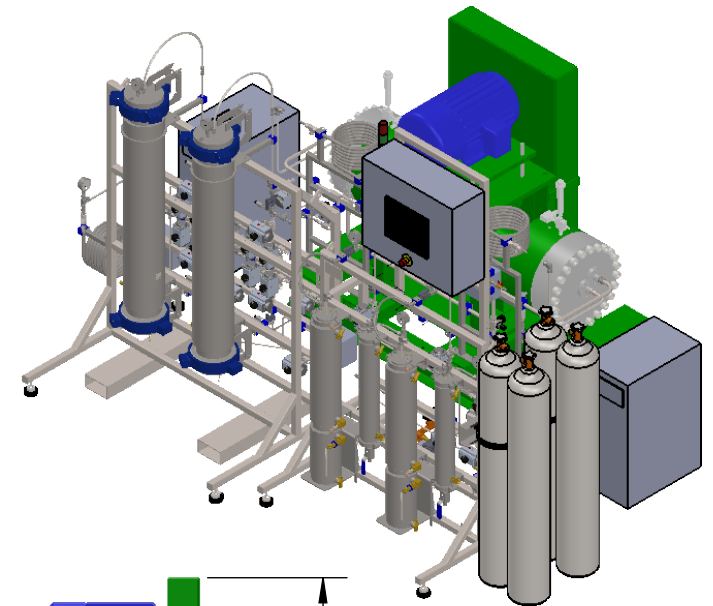
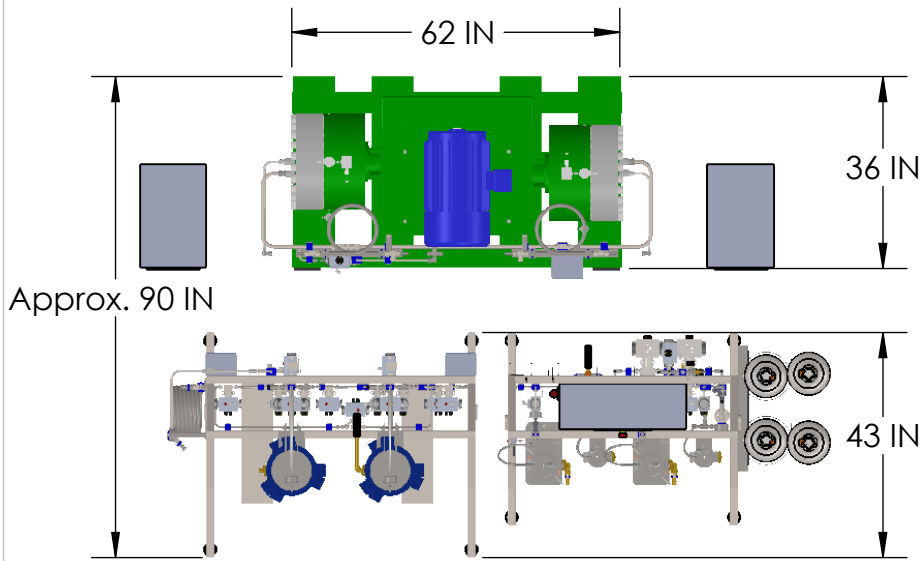


AMBIENT TEMPERATURE REQUIREMENTS: 60-80 F
 MINIMUM CLEARANCE AROUND SYSTEM IS 36"



The Power of CO₂ Extraction™

Crate	Height	Width	Length	Weight
Extractor	83"	57"	69"	700 lbs
Separator	78"	42"	51"	500 lbs
Compressor	70"	82"	47"	4600 lbs
TCUs	36"	48"	48"	500 lbs
Step-Up Transformer	46"	34"	32"	1000 lbs

31 Greenscapes Court
 Johnstown, OH 43031
 740-809-1160

MATERIAL

FINISH

RAW MATERIAL

TITLE: 2000-20LX20LDU DUPLEX w/
 OUTDOOR CHILLER (Indoor
 Portion) 8/29/2019

DWG. NO. 2000-20LX20LD DUPLEX W. OL
 REV.

SCALE: 1:36

SHEET 1 OF 1