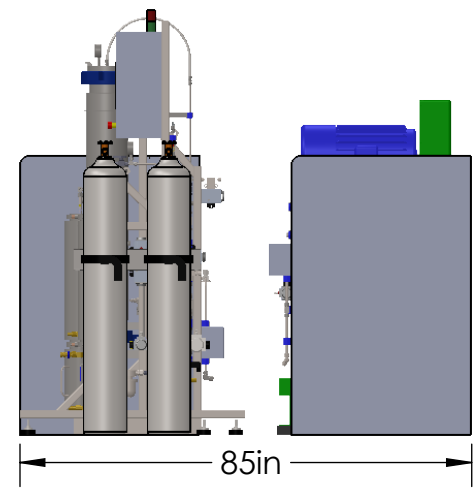
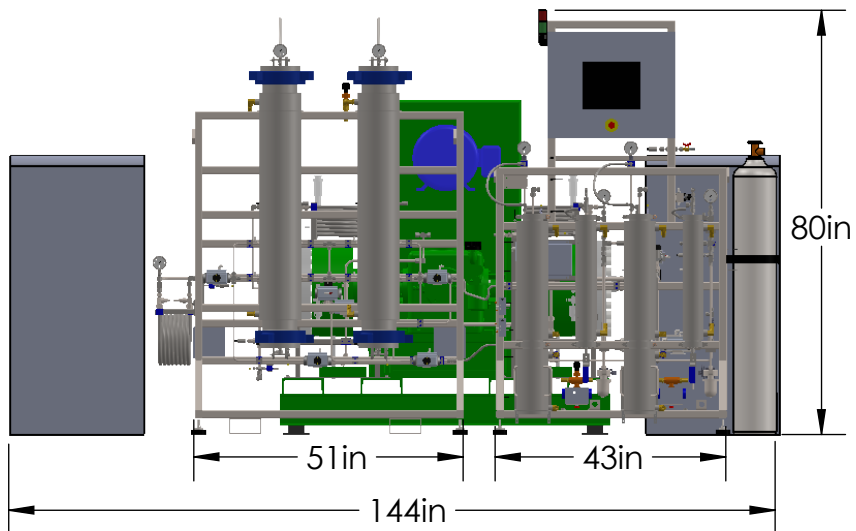


AMBIENT TEMPERATURE
REQUIREMENTS: 60-80 F



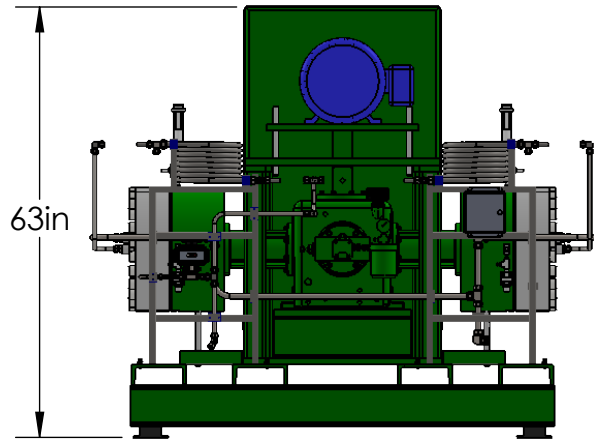
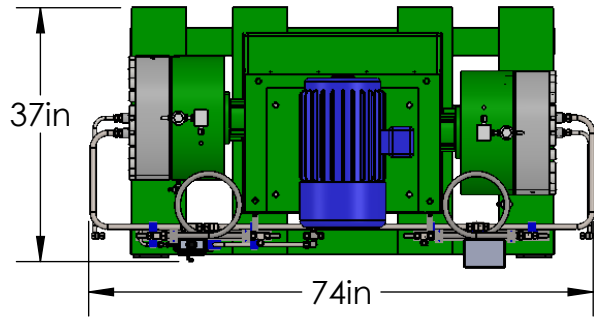
CRATE	HT	WIDTH	LENGTH	WT (LBS)
EXTRACTOR	83"	57"	69"	700
SEPARATORS	78"	42"	51"	500
COMPRESSOR	70"	82"	47"	4600
STD CHILLER	47"	44"	24"	380
LG CHILLER	62"	45"	36"	500

NOTE: MINIMUM CLEARANCE AROUND SYSTEM IS 36"

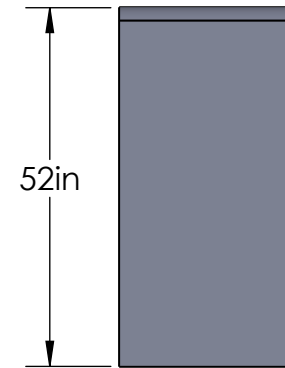
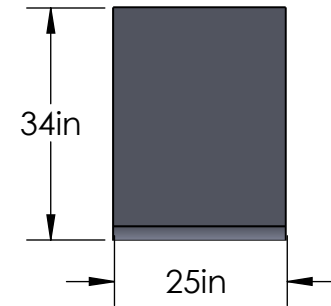


150 Commerce Blvd. Johnstown, OH 43031 740-809-1160	TITLE: 1/11/2019 2000-20LX20LDU DUPLEX
MATERIAL	
FINISH	DWG. NO. REV. 2000-20LX20LD DUPLEX
RAW MATERIAL	SCALE: 1:36 SHEET 1 OF 3

DIAPHRAGM PUMP

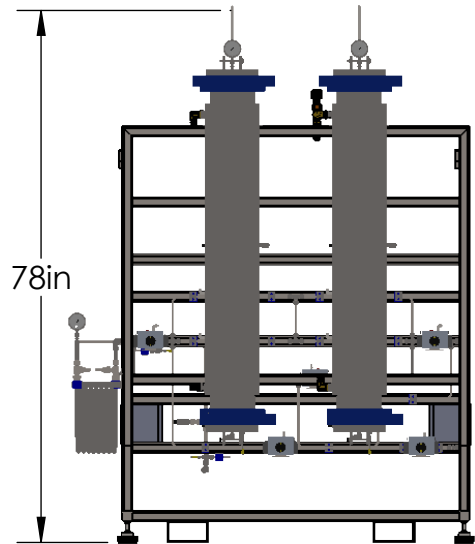
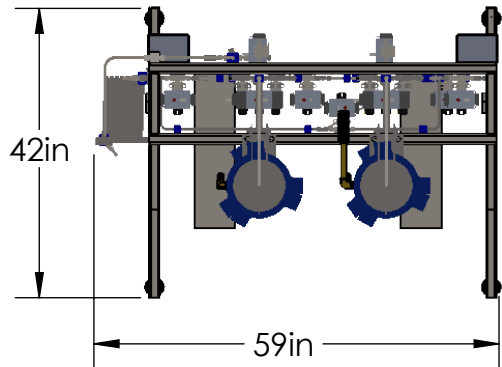


LARGE CHILLER

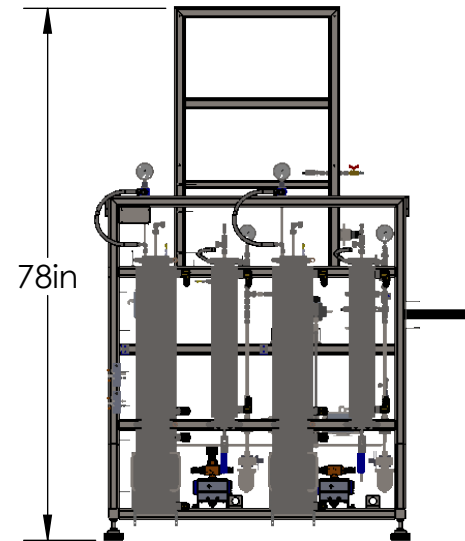
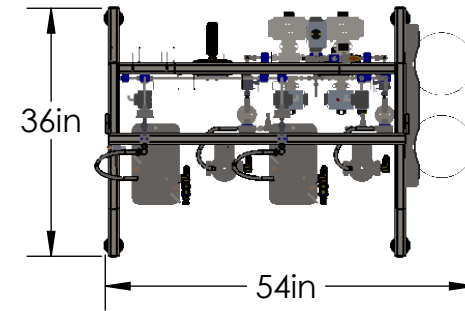


150 Commerce Blvd. Johnstown, OH 43031 740-809-1160	TITLE: 1/11/2019 2000-20LX20LDU DUPLEX	
	MATERIAL	DWG. NO. REV. 2000-20LX20LD DUPLEX
	RAW MATERIAL	SCALE: 1:28 SHEET 2 OF 3

EXTRACTOR



SEPARATOR



The Power of CO₂ Extraction™

150 Commerce Blvd. Johnstown, OH 43031 740-809-1160	TITLE: 1/11/2019 2000-20LX20LDU DUPLEX	
MATERIAL	DWG. NO. REV.	
FINISH	2000-20LX20LD DUPLEX	
RAW MATERIAL	SCALE: 1:28	SHEET 3 OF 3