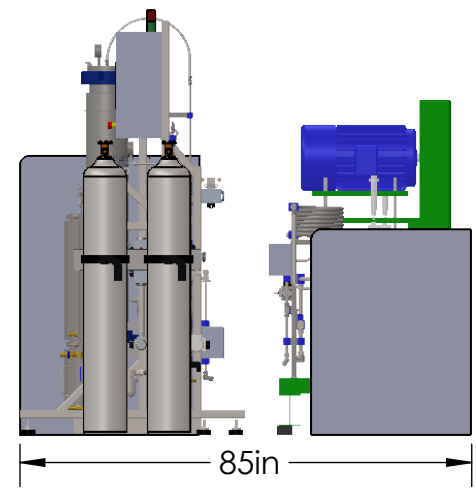
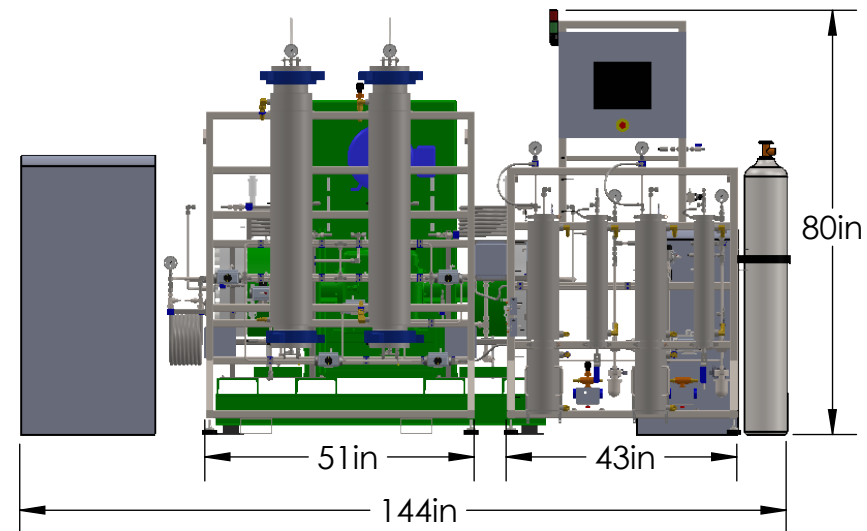


AMBIENT TEMPERATURE
REQUIREMENTS: 60-80 F



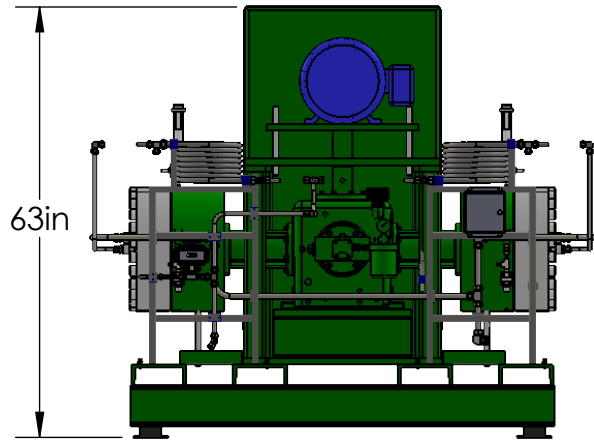
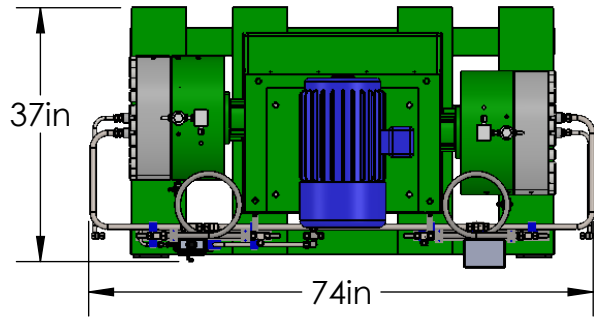
CRATE	HT	WIDTH	LENGTH	WT (LBS)
EXTRACTOR	83"	57"	69"	700
SEPERATORS	78"	42"	51"	500
COMPRESSOR	70"	82"	47"	4600
STD CHILLER	47"	44"	24"	380
LG CHILLER	62"	45"	36"	500

NOTE: MINIMUM CLEARANCE AROUND SYSTEM IS 36"

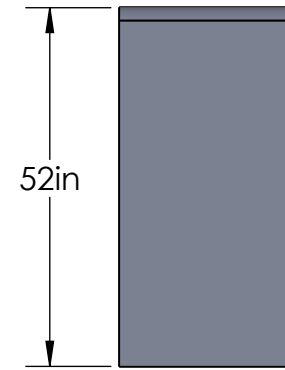
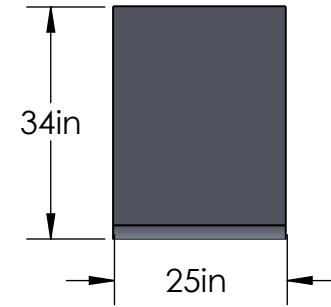


150 Commerce Blvd. Johnstown, OH 43031 740-809-1160	TITLE: 6/1/2018 2000-20LX20LDU DUPLEX
MATERIAL	DWG. NO. REV. 2000-20LX20LD DUPLEX
FINISH	SCALE: 1:36 SHEET 1 OF 3
RAW MATERIAL	

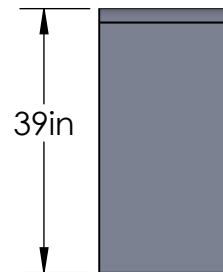
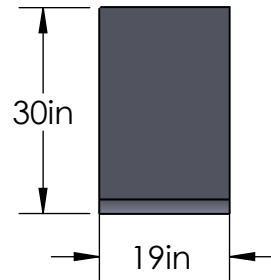
DIAPHRAGM PUMP



LARGE CHILLER

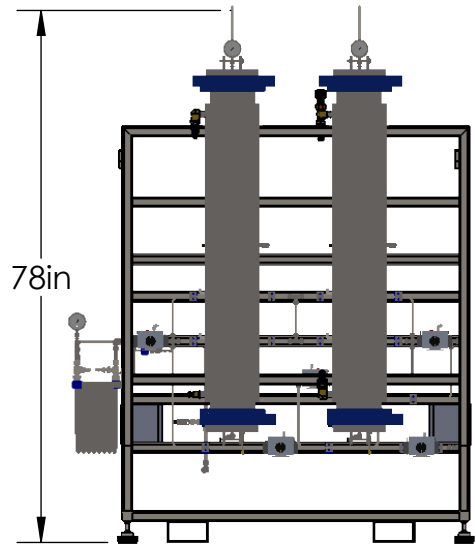
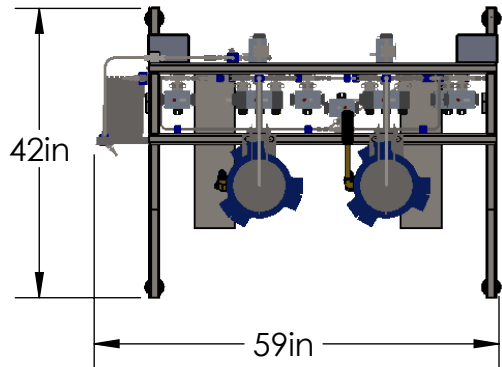


SMALL CHILLER

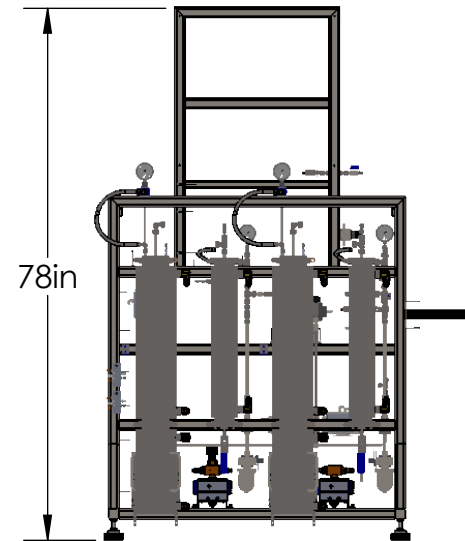
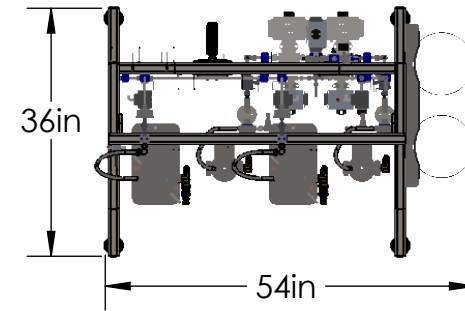


150 Commerce Blvd. Johnstown, OH 43031 740-809-1160	TITLE: 6/1/2018		
	2000-20LX20LDU DUPLEX		
	MATERIAL	DWG. NO.	REV.
	FINISH	2000-20LX20LD DUPLEX	
RAW MATERIAL	SCALE: 1:28	SHEET 2 OF 3	

EXTRACTOR



SEPERATOR



apeks®
SUPERCritical
 The Power of CO₂ Extraction™

150 Commerce Blvd. Johnstown, OH 43031 740-809-1160	TITLE: 6/1/2018 2000-20LX20LDU DUPLEX
MATERIAL	DWG. NO. REV. 2000-20LX20LD DUPLEX
FINISH	SCALE: 1:28 SHEET 3 OF 3
RAW MATERIAL	