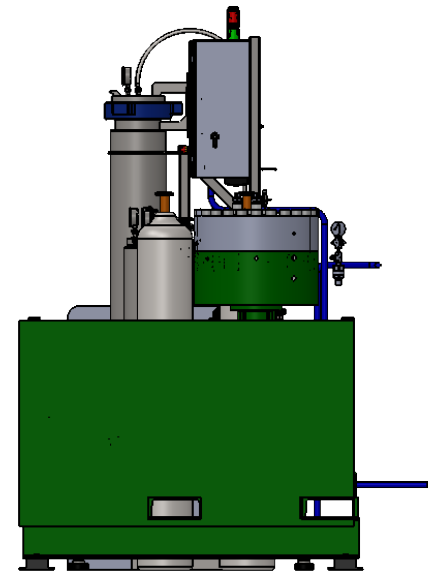
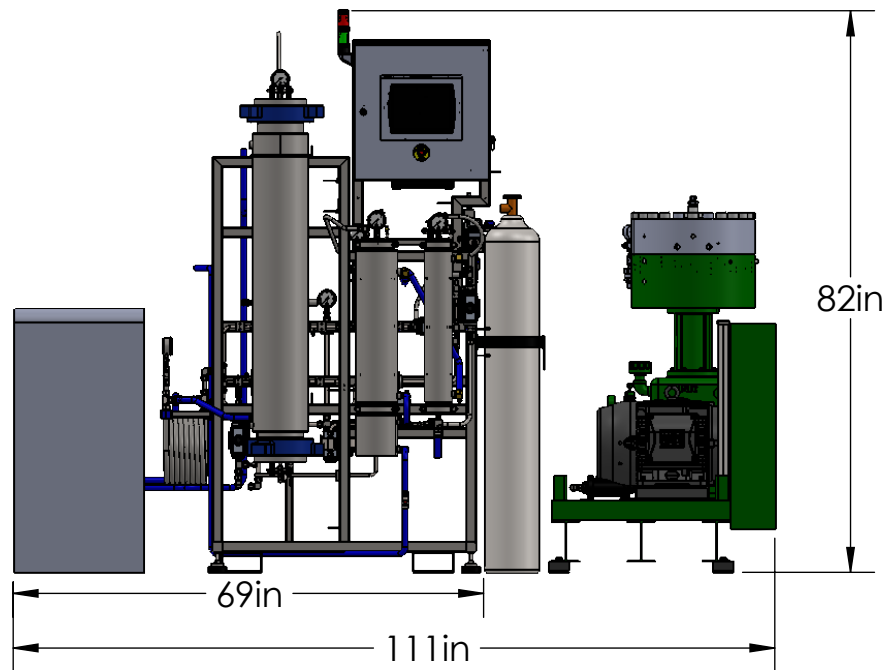


AMBIENT TEMPERATURE REQUIREMENTS: 60-80 F



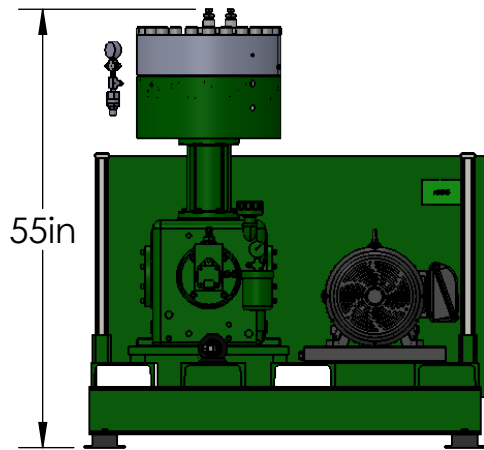
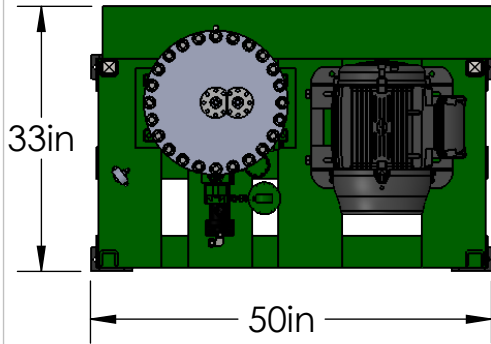
**apeks**®  
**SUPERCritical**  
*The Power of CO<sub>2</sub> Extraction™*

EQUIPMENT	CRATE SIZE	CRATE WT.
2000-20LD	40" X 48" X 82"	950 LBS
DIA. PUMP	57" X 39" X 67"	2750 LBS
CHILLER	48" X 26" X 36"	390 LBS

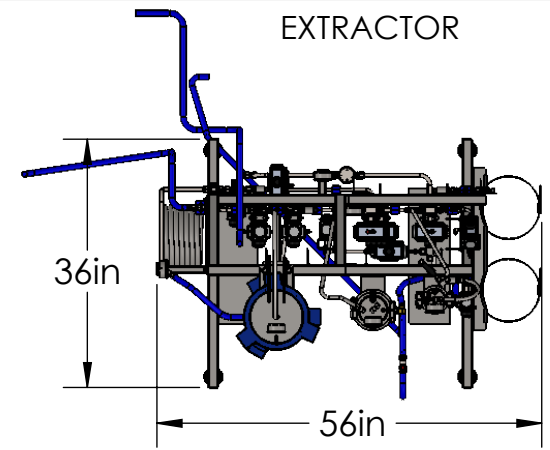
NOTE: MINIMUM CLEARANCE AROUND SYSTEM IS 36"

150 Commerce Blvd. Johnstown, OH 43031 740-809-1160	TITLE: 6/1/2018 2000-20LD SYSTEM FOOTPRINT
MATERIAL	DWG. NO. REV.
FINISH	2000-20LD SIDE MOUNT
RAW MATERIAL	SCALE: 1:28 SHEET 1 OF 2

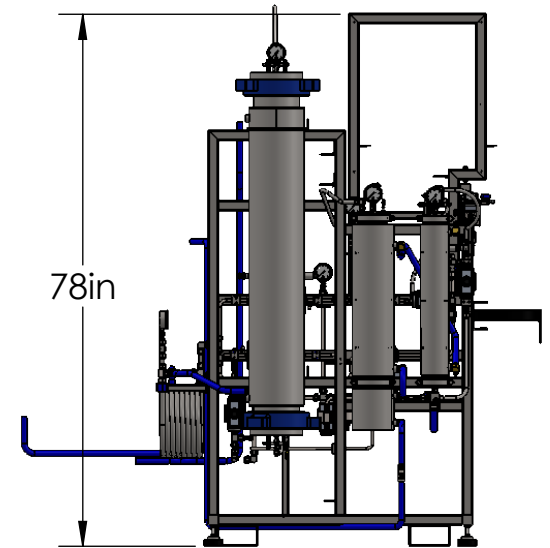
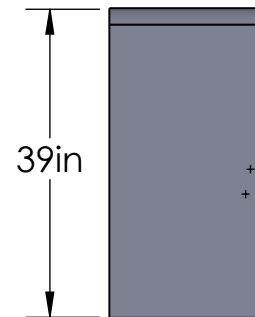
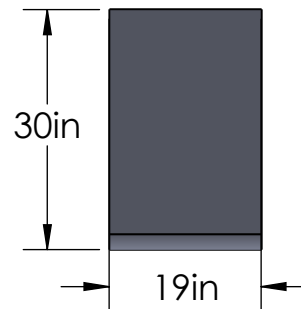
DIAPHRAGM PUMP



EXTRACTOR



CHILLER



The Power of CO<sub>2</sub> Extraction™

150 Commerce Blvd. Johnstown, OH 43031 740-809-1160	TITLE: 6/1/2018 2000-20LD SYSTEM FOOTPRINT
MATERIAL	DWG. NO. REV.
FINISH	2000-20LD SIDE MOUNT
RAW MATERIAL	SCALE: 1:24 SHEET 2 OF 2