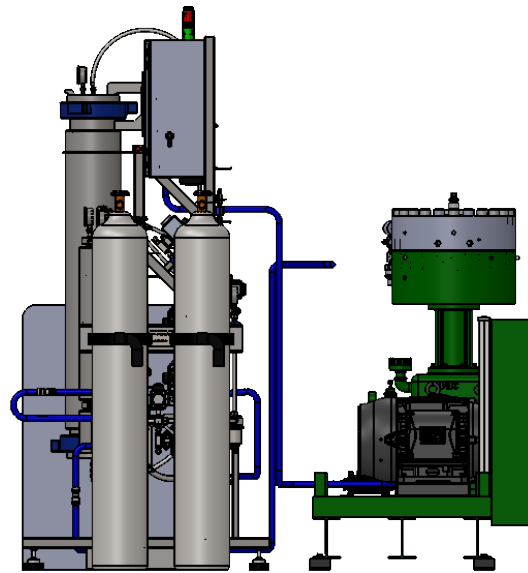
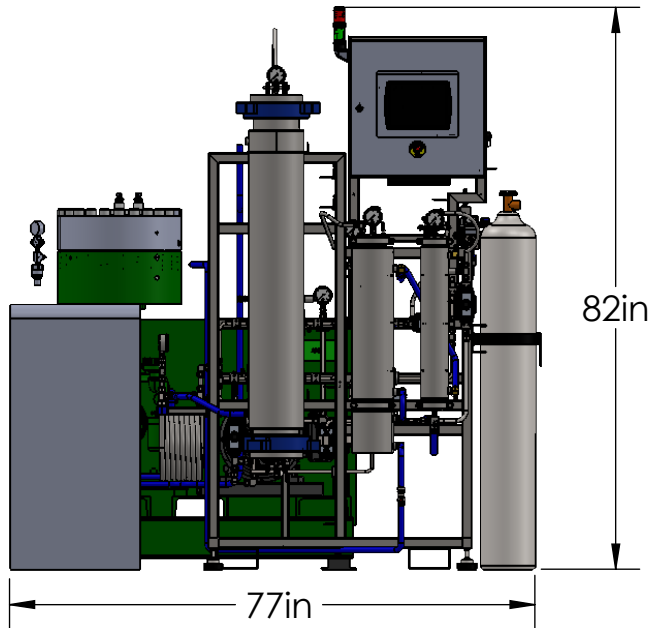
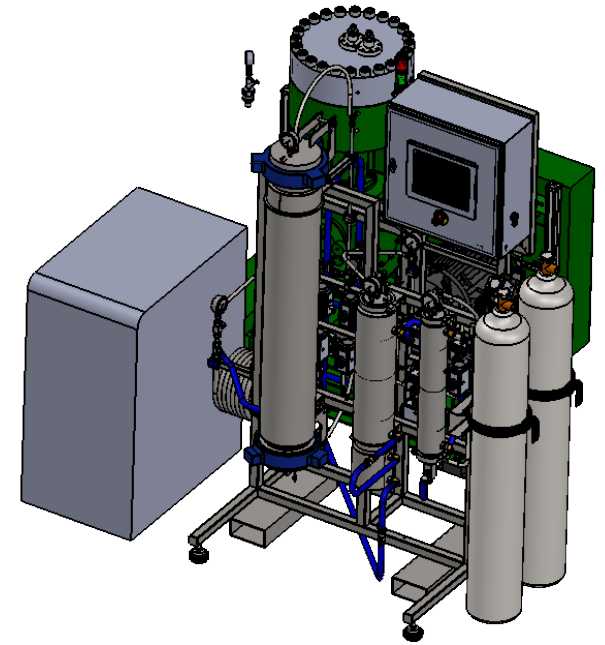


AMBIENT TEMPERATURE
REQUIREMENTS: 60-80 F



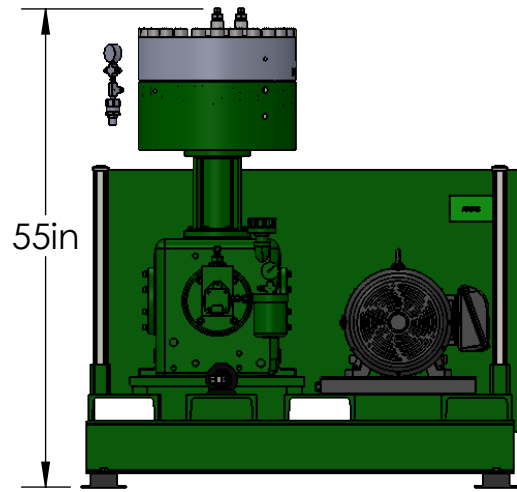
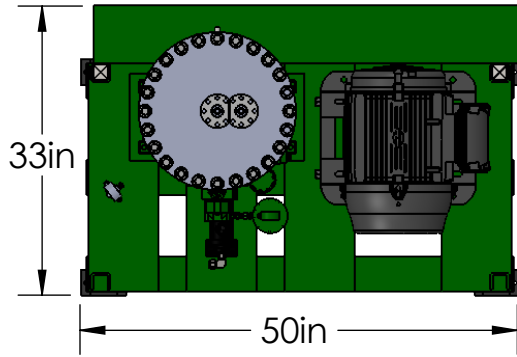
apeks®
SUPERCRITICAL
The Power of CO₂ Extraction™

EQUIPMENT	CRATE SIZE	CRATE WT.
2000-20LD	40" X 48" X 82"	950 LBS
DIA. PUMP	57" X 39" X 67"	2750 LBS
CHILLER	48" X 26" X 36"	390 LBS

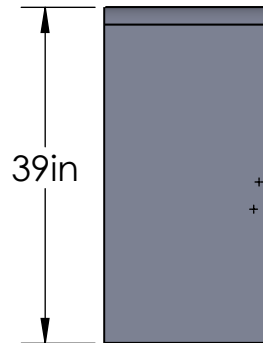
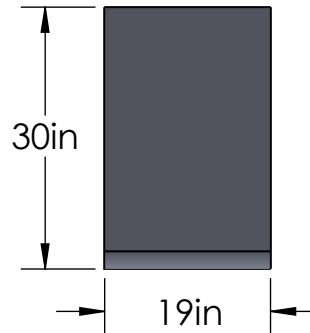
NOTE: MINIMUM CLEARANCE AROUND SYSTEM IS 36"

150 Commerce Blvd. Johnstown, OH 43031 740-809-1160	TITLE: 6/1/2018 2000-20LD SYSTEM FOOTPRINT
MATERIAL	DWG. NO. REV. 2000-20LD
FINISH	SCALE: 1:28 SHEET 1 OF 2
RAW MATERIAL	

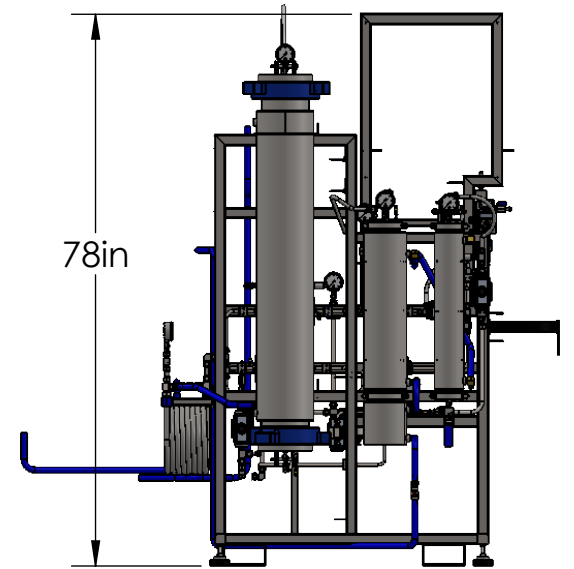
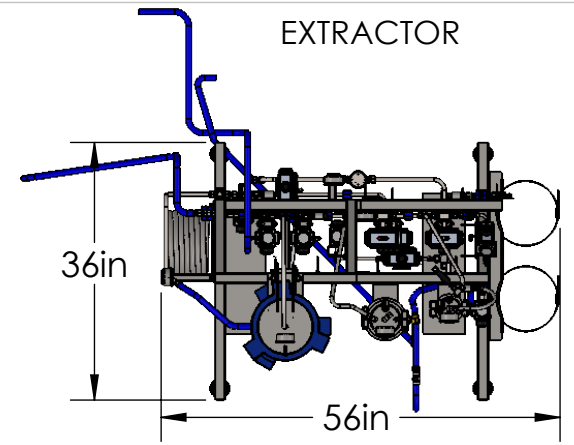
DIAPHRAGM PUMP



CHILLER



EXTRACTOR



apeks®
SUPERCritical
 The Power of CO₂ Extraction™

150 Commerce Blvd. Johnstown, OH 43031 740-809-1160	TITLE: 6/1/2018 2000-20LD SYSTEM FOOTPRINT
MATERIAL	DWG. NO. REV.
FINISH	2000-20LD
RAW MATERIAL	SCALE: 1:22 SHEET 2 OF 2