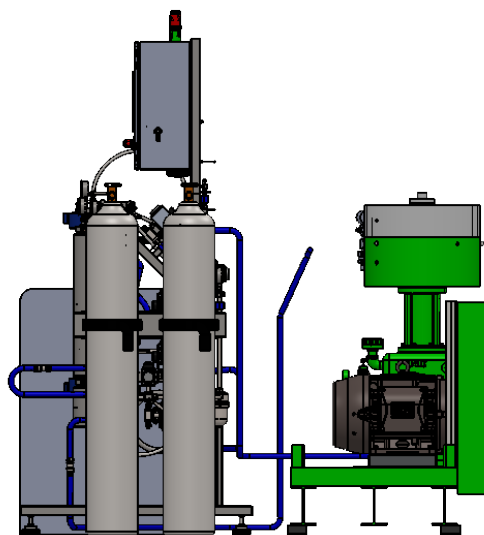
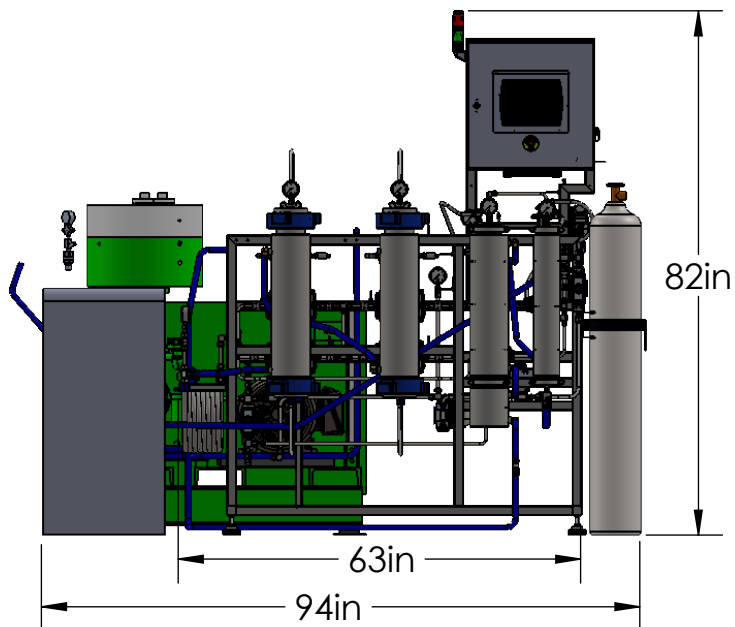
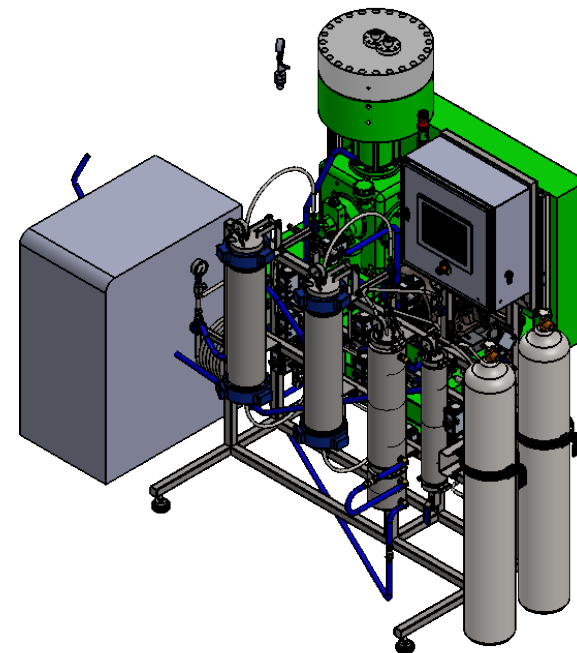


AMBIENT TEMPERATURE
REQUIREMENTS: 60-80 F



apeks®
SUPERCRITICAL

The Power of CO₂ Extraction™

EQUIPMENT	CRATE SIZE	CRATE WT.
2000-5LX5LD	64.5" X 40" X 80.5"	950 LBS
DIA. PUMP	57" X 39" X 67"	2750 LBS
CHILLER	48" X 26" X 36"	390 LBS

NOTE: MINIMUM CLEARANCE AROUND SYSTEM IS 16"

150 Commerce Blvd.
Johnstown, OH 43031
740-809-1160

MATERIAL

FINISH

RAW MATERIAL

TITLE: 4/28/2017

2000-5LX5LD SYSTEM
FOOTPRINT

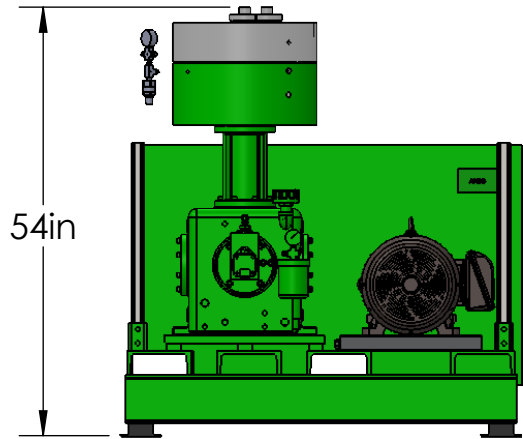
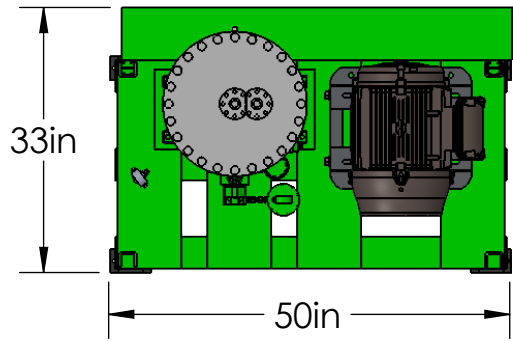
DWG. NO. REV.

2000-5LX5LD

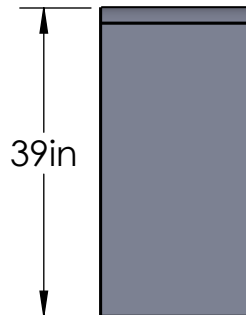
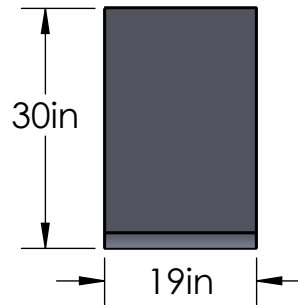
SCALE: 1:30

SHEET 1 OF 2

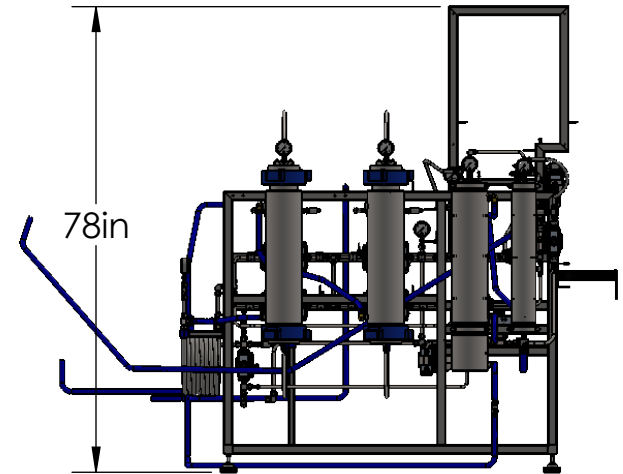
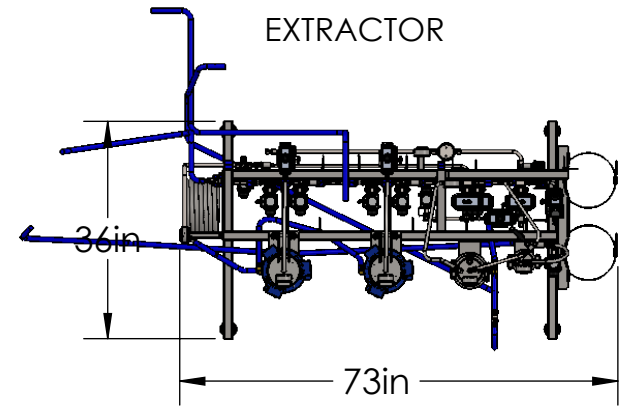
DIAPHRAGM PUMP



CHILLER



EXTRACTOR



apeks®
SUPERCritical
 The Power of CO₂ Extraction™

150 Commerce Blvd. Johnstown, OH 43031 740-809-1160	TITLE: 4/28/2017 2000-5LX5LD SYSTEM FOOTPRINT
MATERIAL	DWG. NO. REV.
FINISH	2000-5LX5LD
RAW MATERIAL	SCALE: 1:24 SHEET 2 OF 2