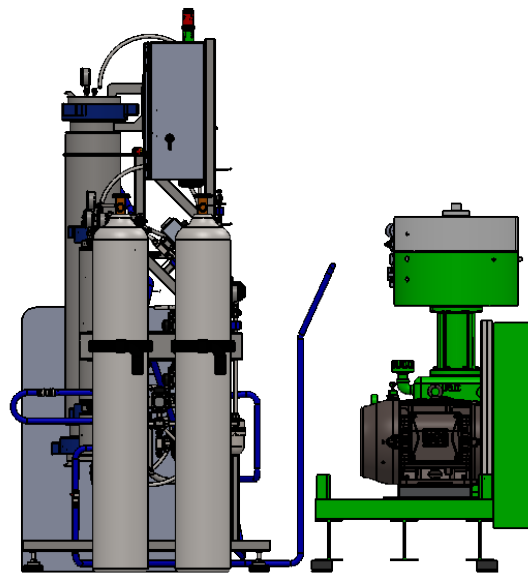
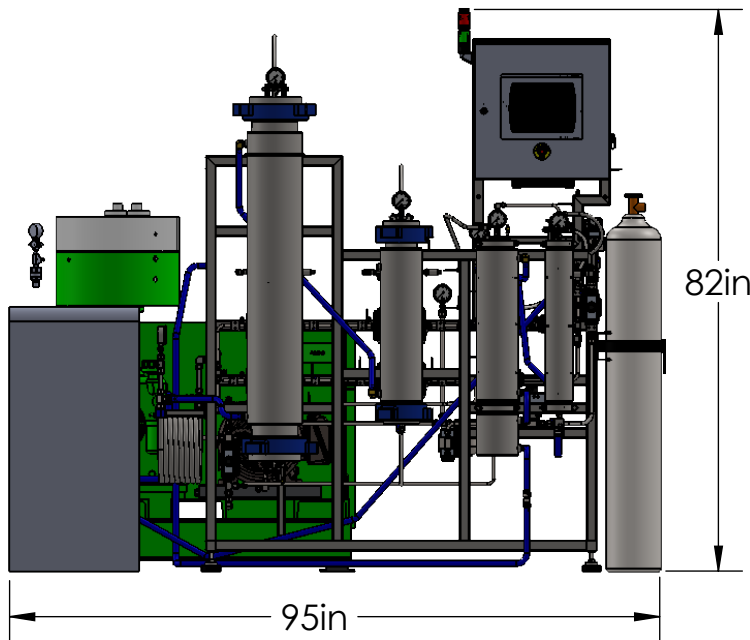
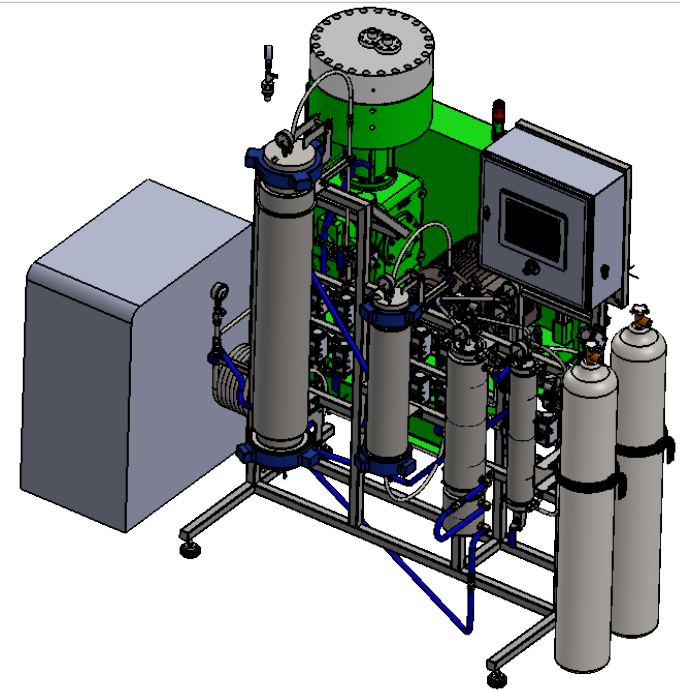


AMBIENT TEMPERATURE
REQUIREMENTS: 60-80 F



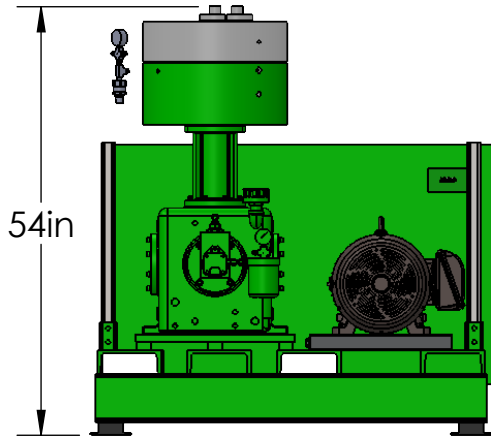
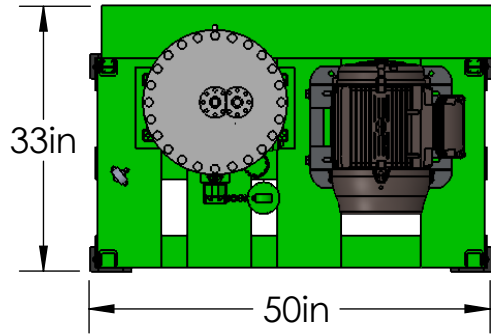
apeks®
SUPERCRITICAL
The Power of CO₂ Extraction™

EQUIPMENT	CRATE SIZE	CRATE WT.
2000-5LX20LD	65" X 40" X 82"	1125 LBS
DIA. PUMP	57" X 39" X 67"	2750 LBS
CHILLER	48" X 26" X 36"	390 LBS

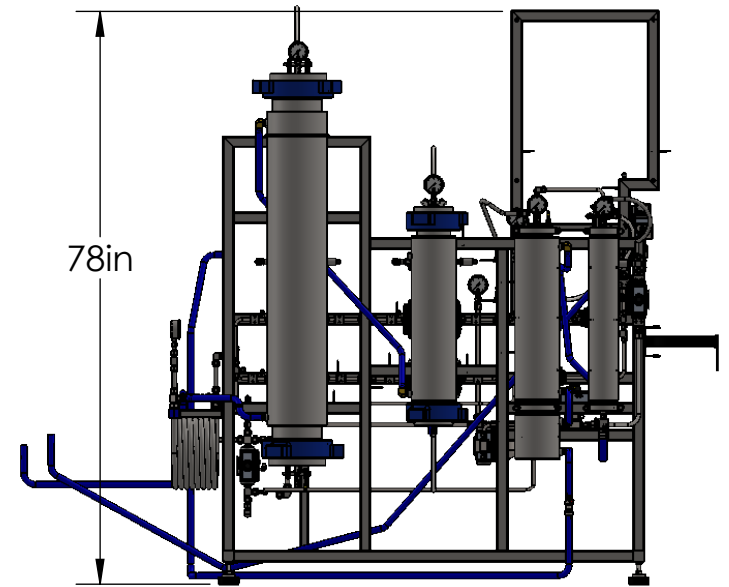
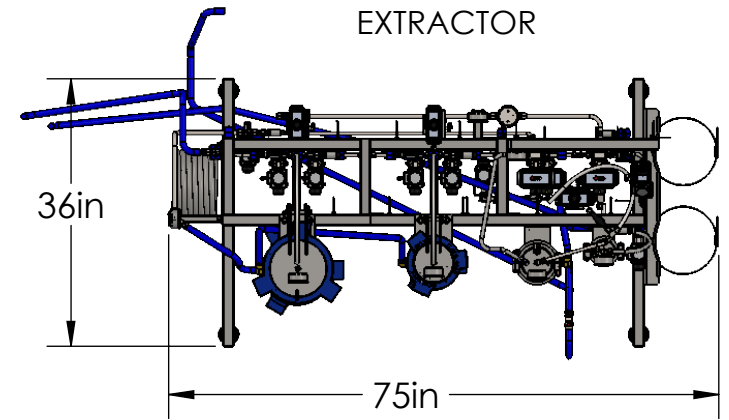
NOTE: MINIMUM CLEARANCE AROUND SYSTEM IS 16"

150 Commerce Blvd. Johnstown, OH 43031 740-809-1160	TITLE: 4/28/2017
MATERIAL	2000-5LX20LD SYSTEM FOOTPRINT
FINISH	DWG. NO. REV.
RAW MATERIAL	2000-5LX20LD
	SCALE: 1:28 SHEET 1 OF 2

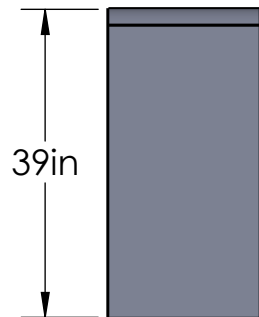
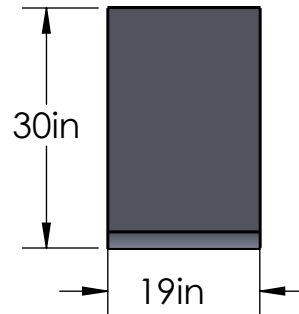
DIAPHRAGM PUMP



EXTRACTOR



CHILLER



The Power of CO₂ Extraction™

150 Commerce Blvd. Johnstown, OH 43031 740-809-1160		TITLE: 4/28/2017	
MATERIAL		2000-5LX20LD SYSTEM FOOTPRINT	
FINISH		DWG. NO.	REV.
RAW MATERIAL		2000-5LX20LD	
		SCALE: 1:24	SHEET 2 OF 2